



Oberkail

BIEN CHEZ SOI



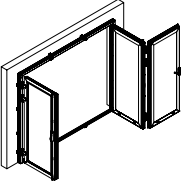
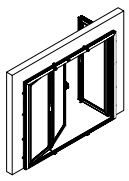


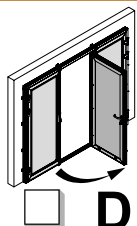
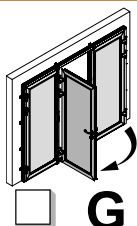

Sékur

Notice de pose porte 3 vantaux repliement journalier centré

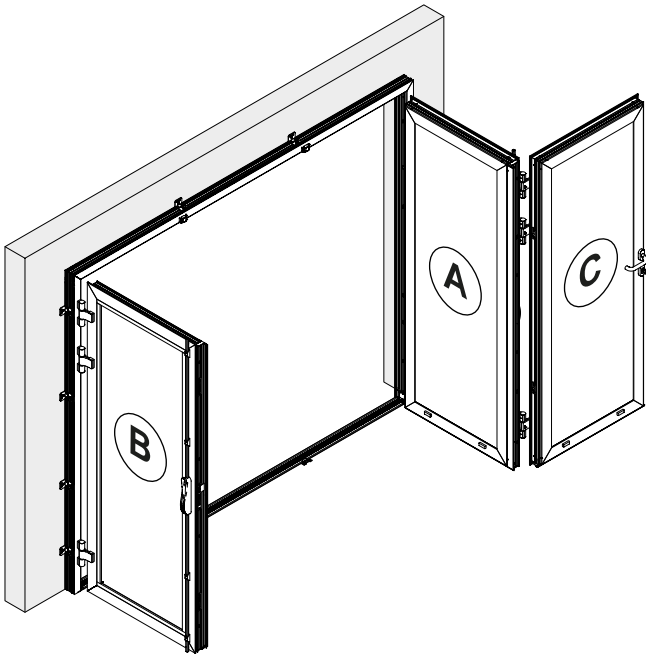
Einbauanleitung 3-flügelige Tür zentrierte Faltung

Installation instructions for 3-leaf door, centred daily folding

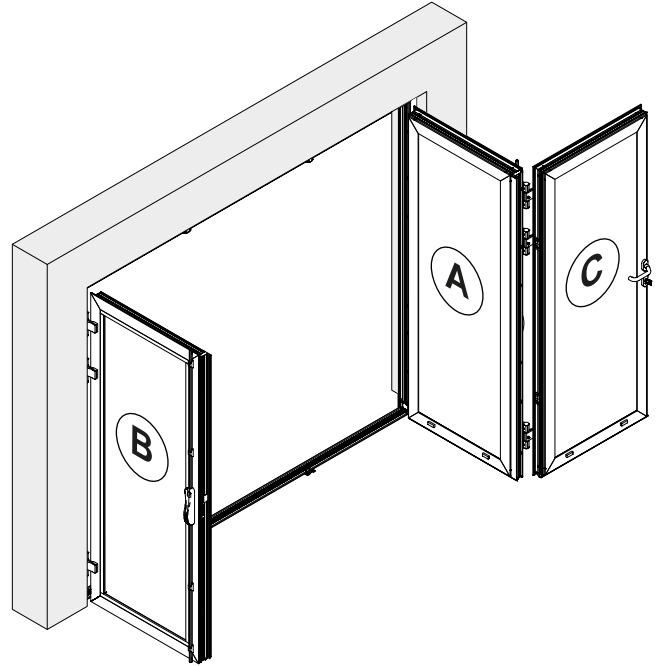


	Intérieure <i>Nach Innen</i> <i>To the inside</i>	Extérieure <i>Nach Außen</i> <i>To the outside</i>
Ouverture Öffnungsrichtung Opening	 I	 E
	Tunnel <i>In der Leibung</i> <i>In the reveal</i>	Applique <i>Hinter der Leibung</i> <i>Behind the reveal</i>
Pose Montage Anschlag Mounting stop	 T	 A
	Droite <i>Rechts</i> <i>Right</i>	Gauche <i>Links</i> <i>Left</i>
Tirant Richtung Innen Direction inside	 D	 G
Configuration / Konfiguration / Configuration :		
— — — — — ➔  Pages / Seiten / Pages 2-3		

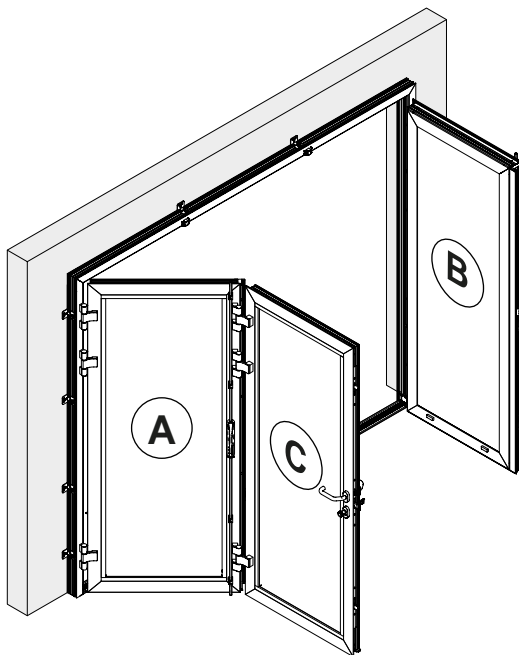
IAD



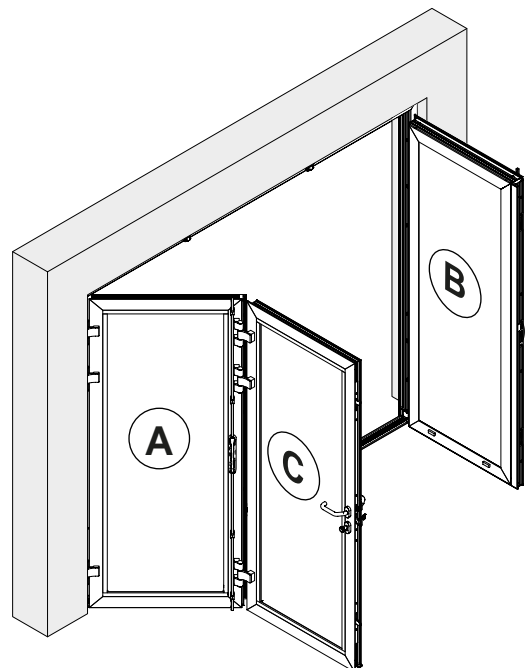
ITD



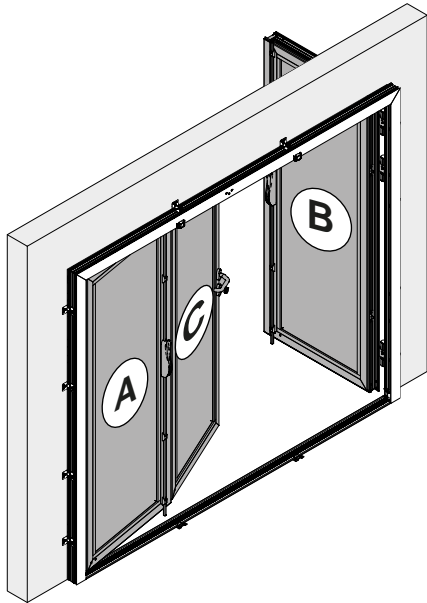
IAG



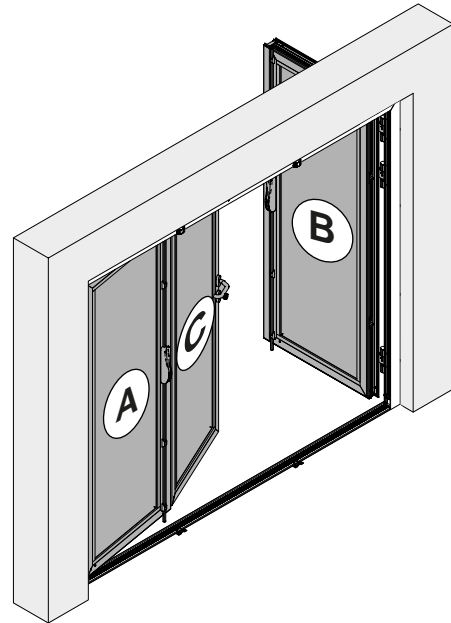
ITG



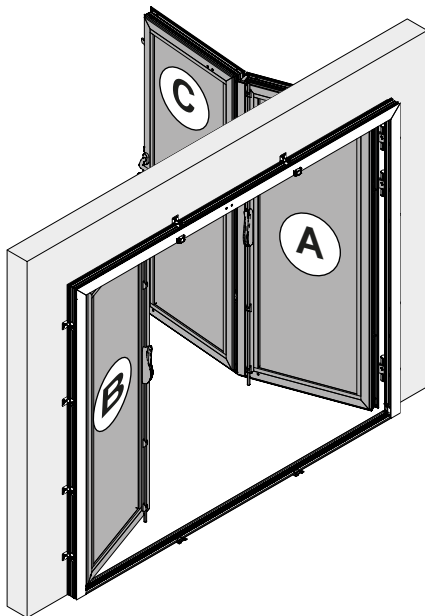
EAD



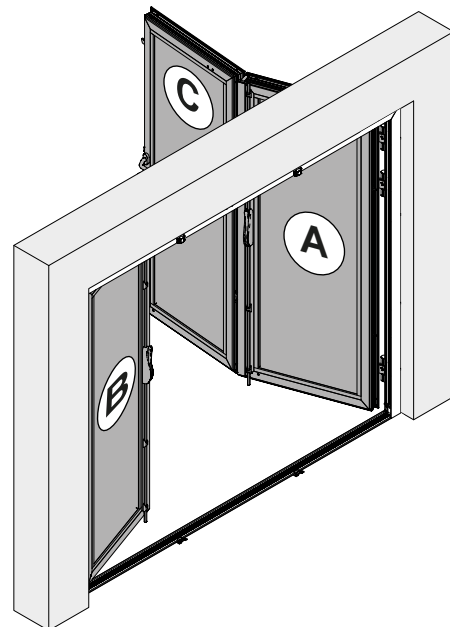
ETD

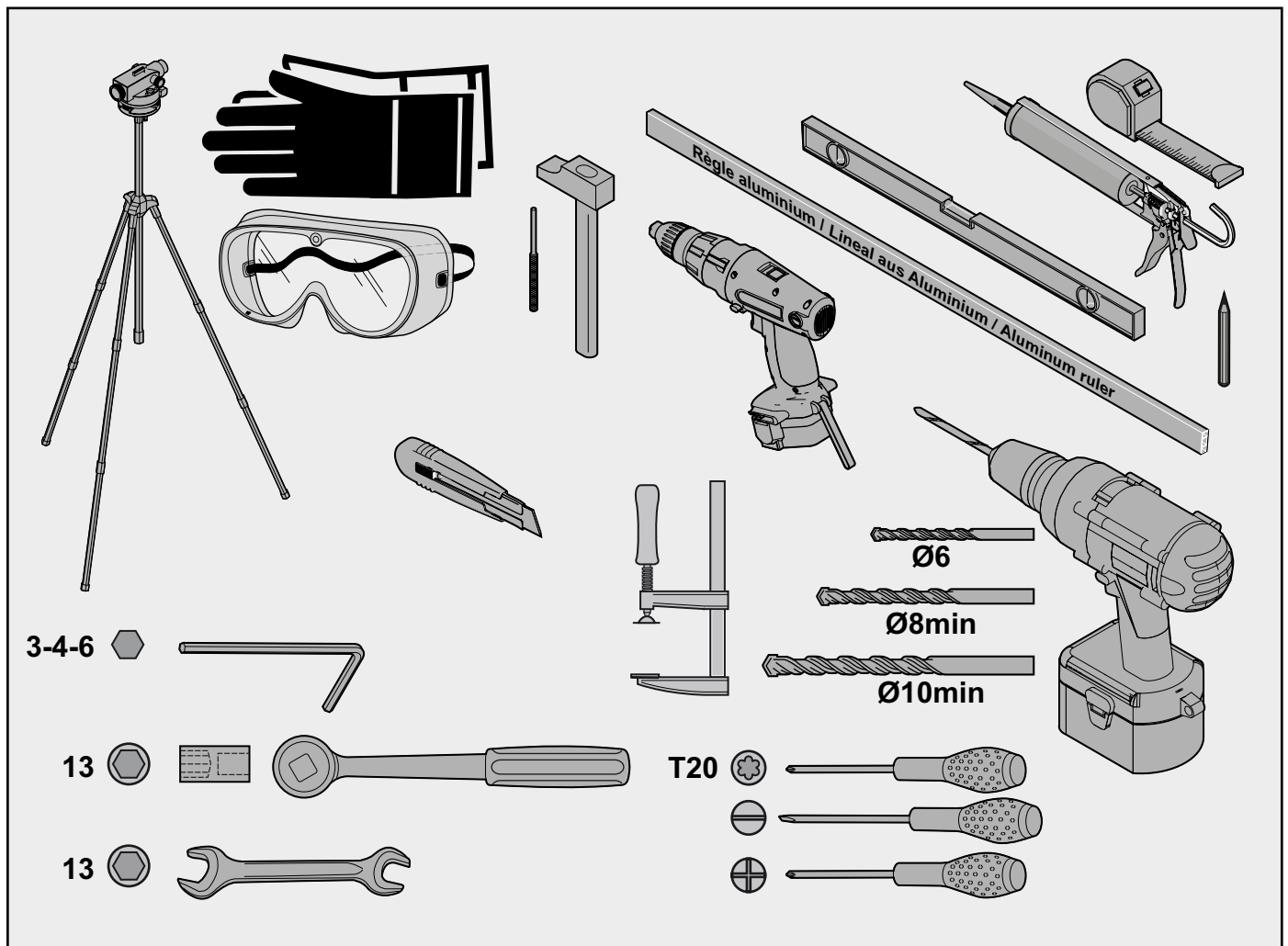


EAG



ETG





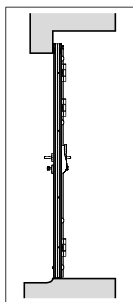
Conseillé, non fourni / Empfohlen, nicht enthalten / Recommended, not provided






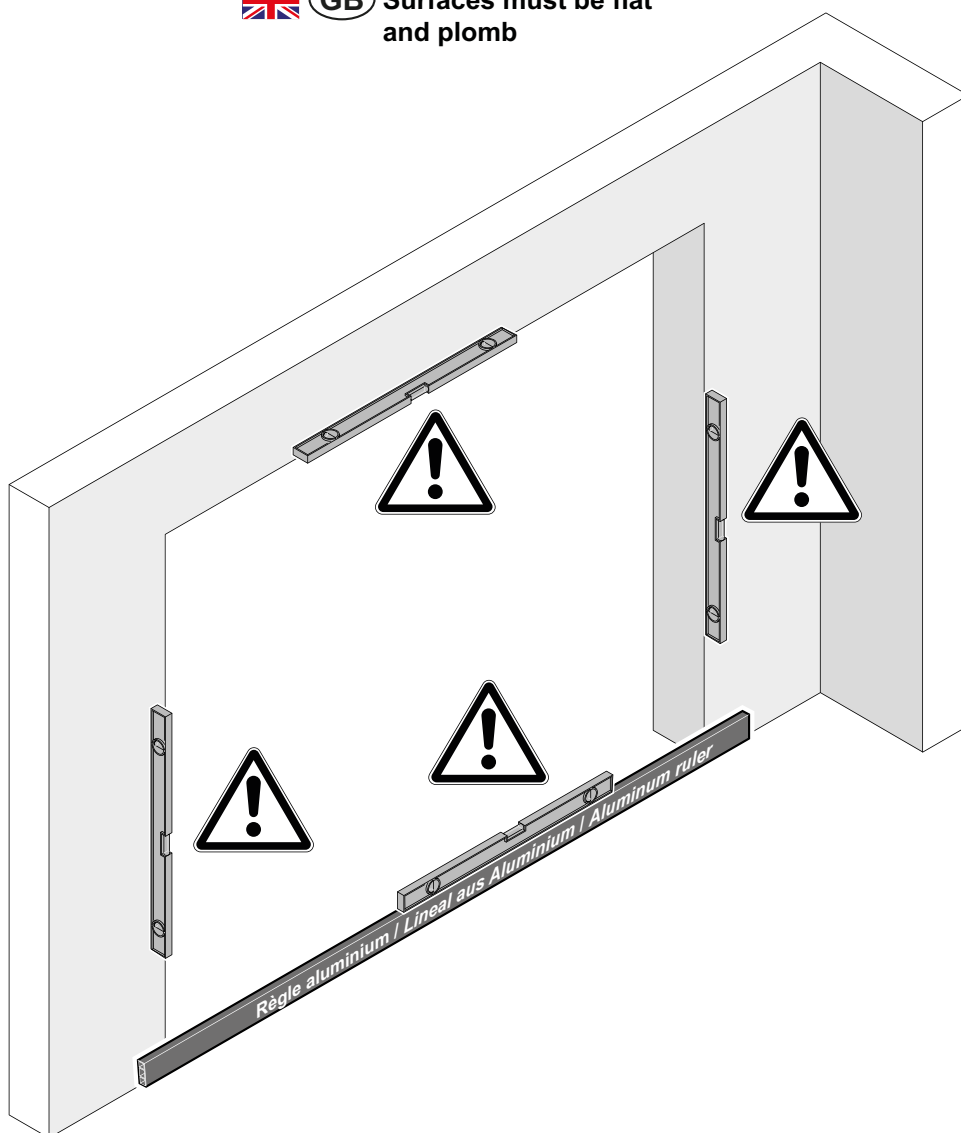
À définir en fonction du support

Entsprechend der Förderungen zu definieren / To be defined according to the support

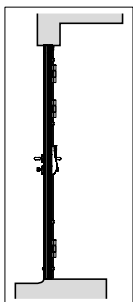
1



-  (FR) Surfaces planes,
de niveau et d'aplomb
-  (DE) Flächen müssen eben
und lotrecht sein
-  (GB) Surfaces must be flat
and plumb



2



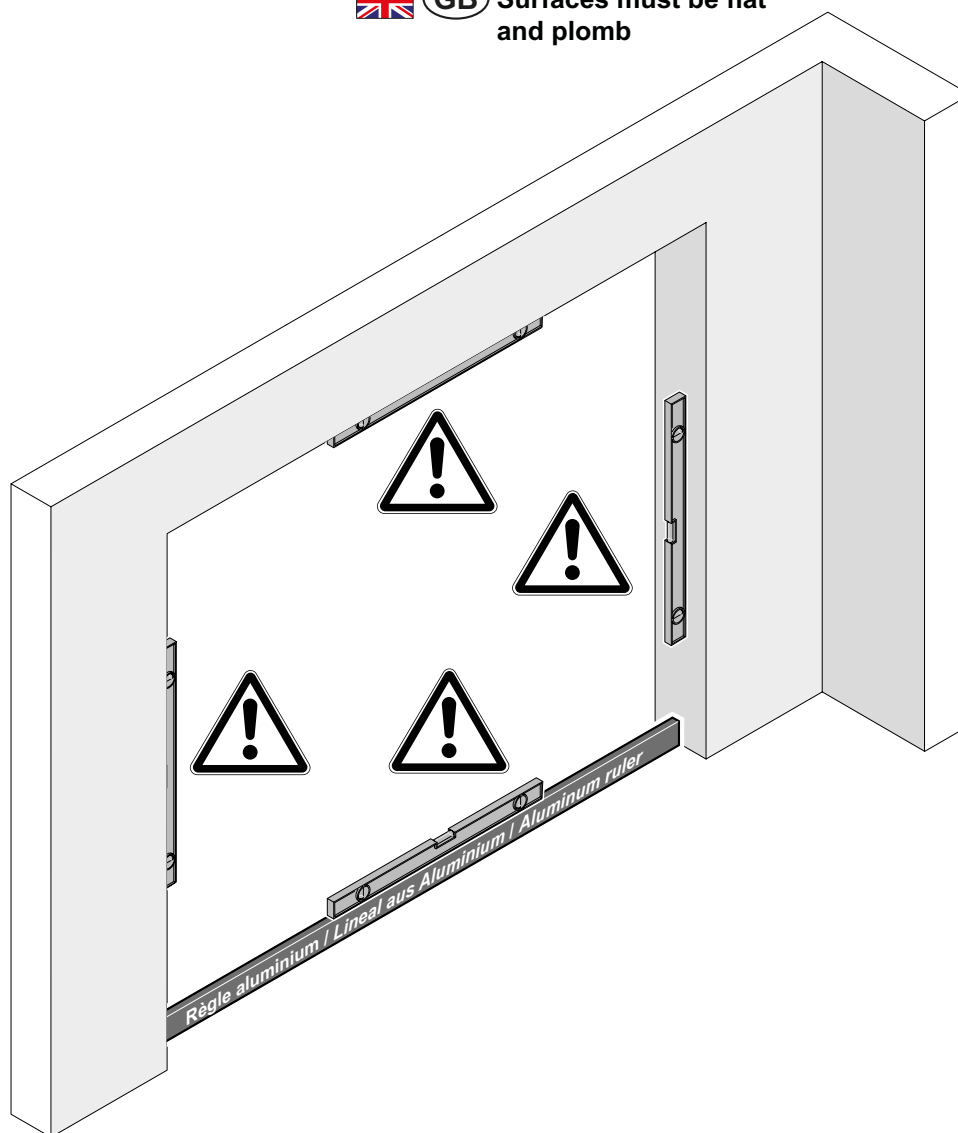
FR Surfaces planes,
de niveau et d'aplomb



DE Flächen müssen eben
und lotrecht sein




GB Surfaces must be flat
and plumb



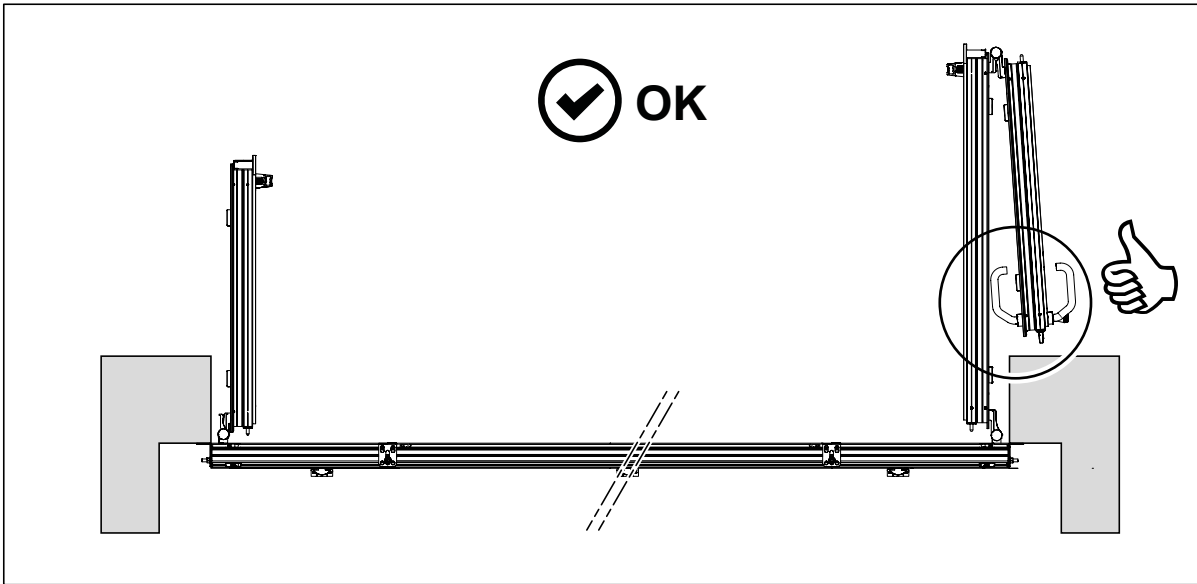
3

E

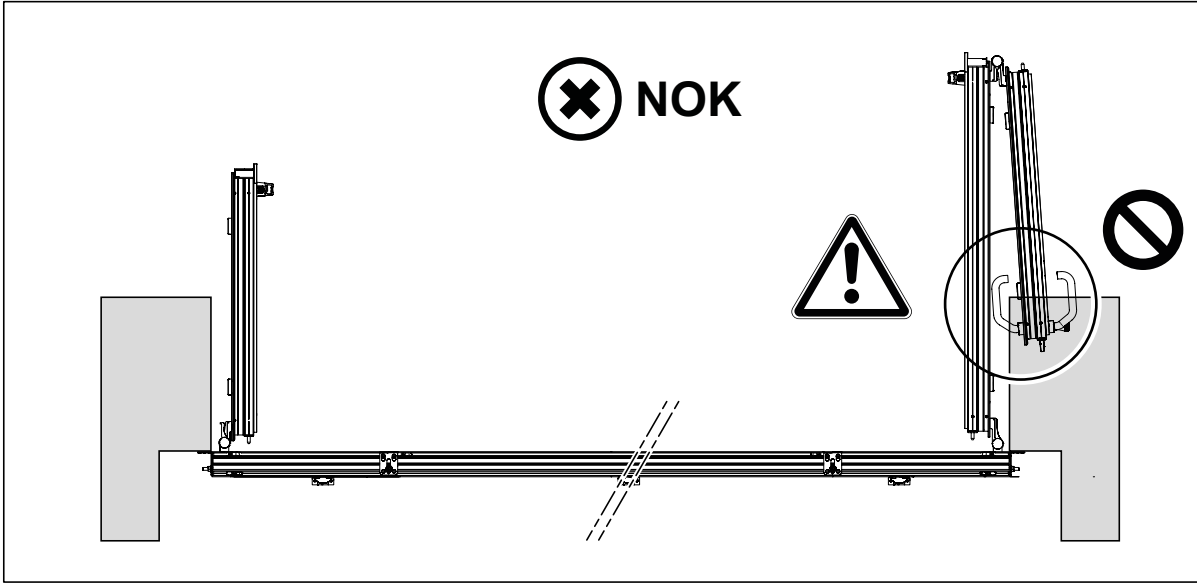
Extérieure
Nach Außen
To the outside



250 mm maximum

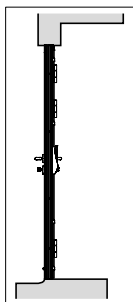


OK



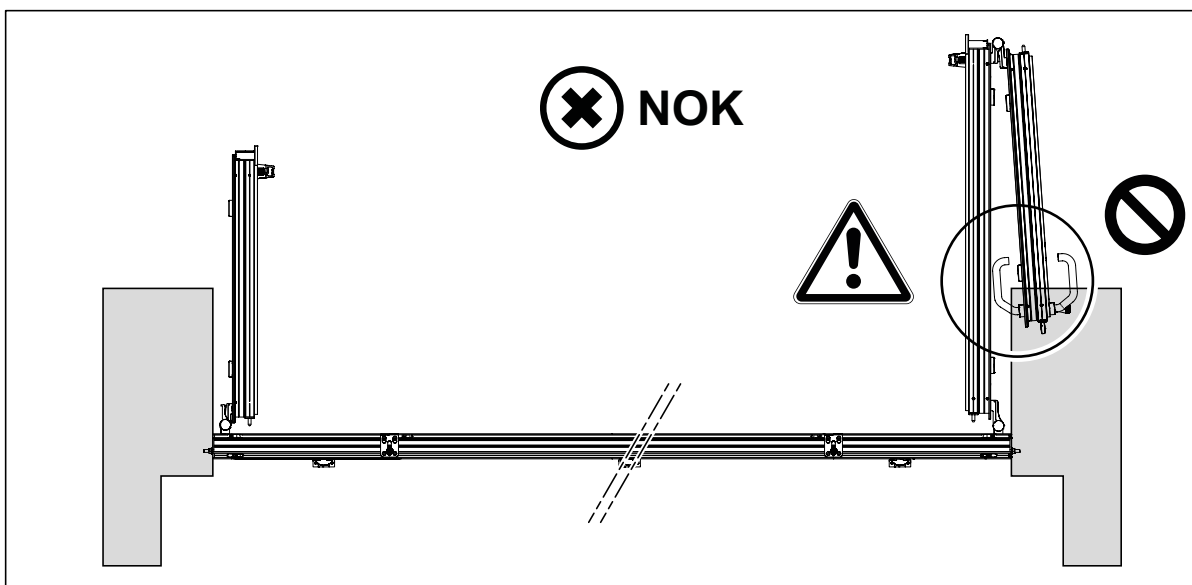
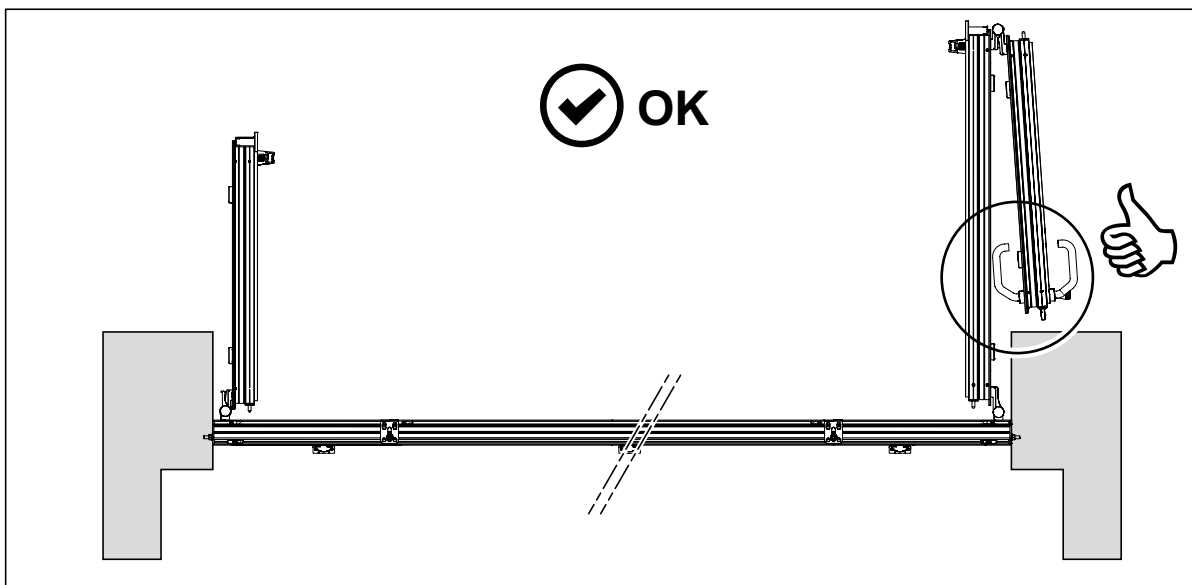
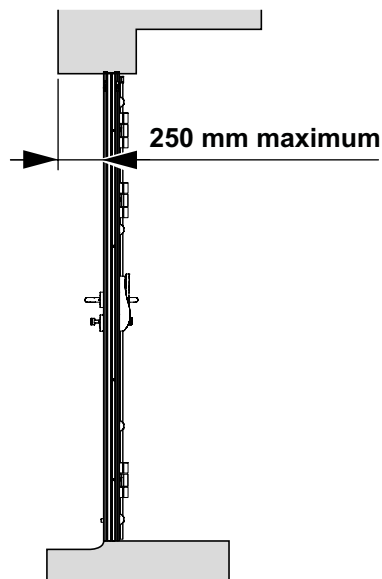
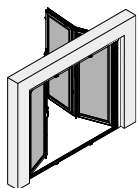
NOK

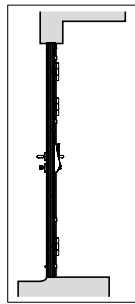
Detailed description: This technical diagram illustrates the correct and incorrect installation of a door handle for a three-pane folding door. The top section shows a side view of the handle assembly. A box labeled '3' and 'E' indicates the step and exterior side. Text 'Extérieure Nach Außen To the outside' is provided. A warning triangle is shown next to a dimension line indicating a '250 mm maximum' distance between the handle and the door frame. Below this, two diagrams show the handle's position relative to the door's travel path. The 'OK' diagram shows the handle correctly positioned, with a thumbs-up icon. The 'NOK' diagram shows the handle incorrectly positioned, with a warning triangle and a prohibition sign.



Extérieure
Nach Außen
To the outside

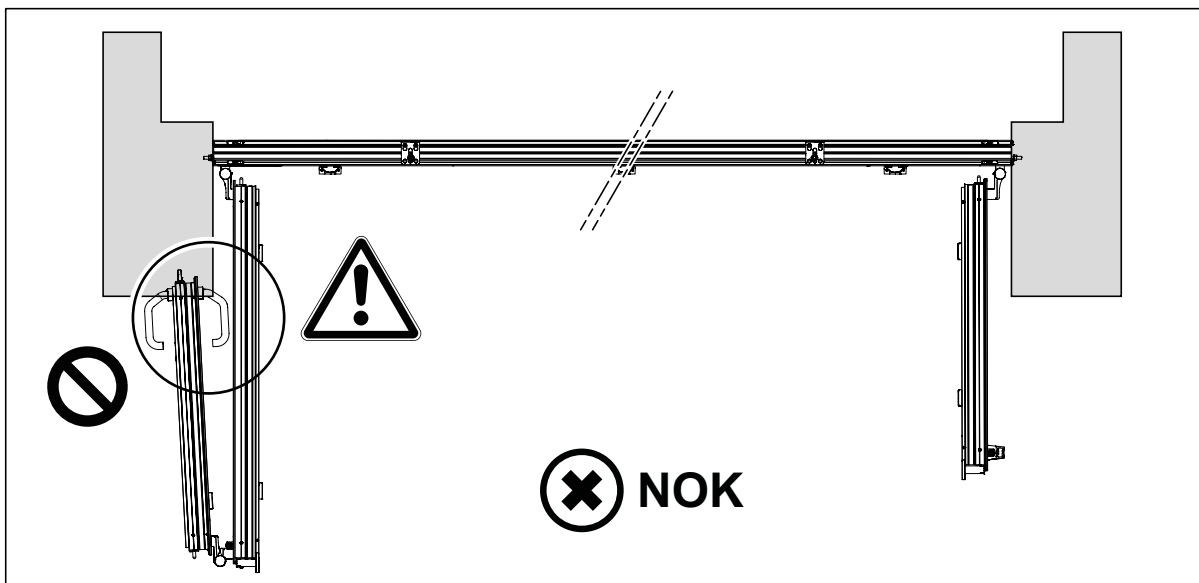
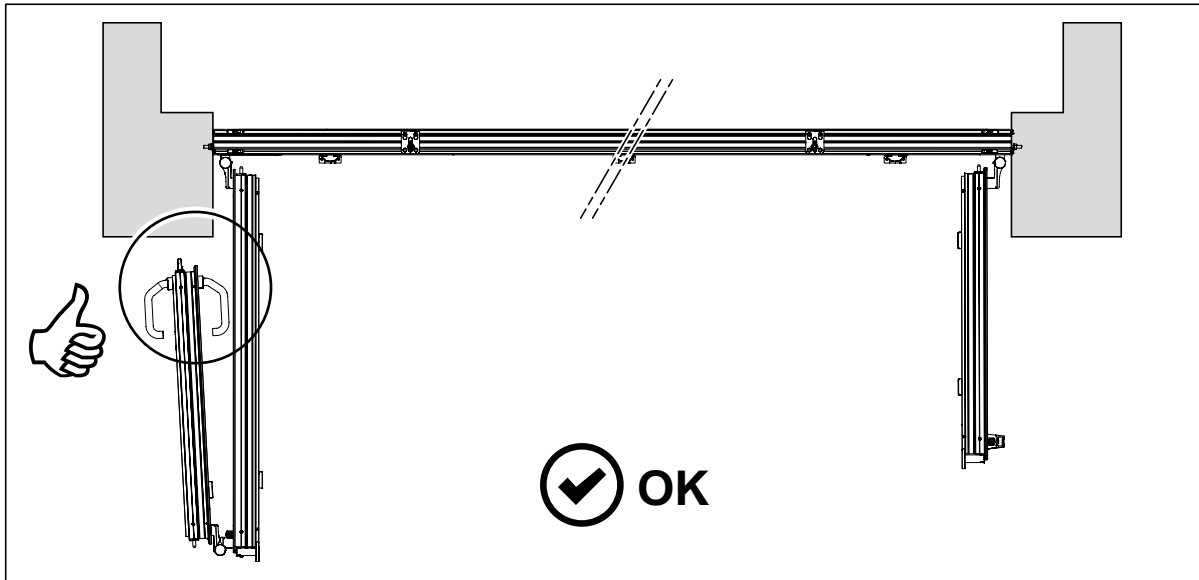
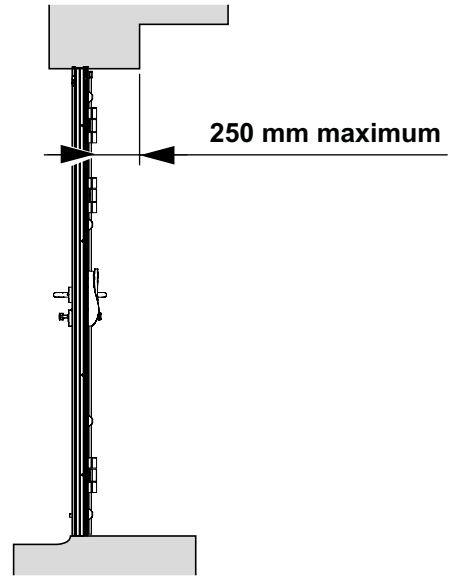
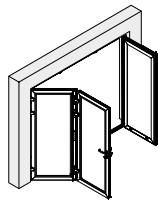
E

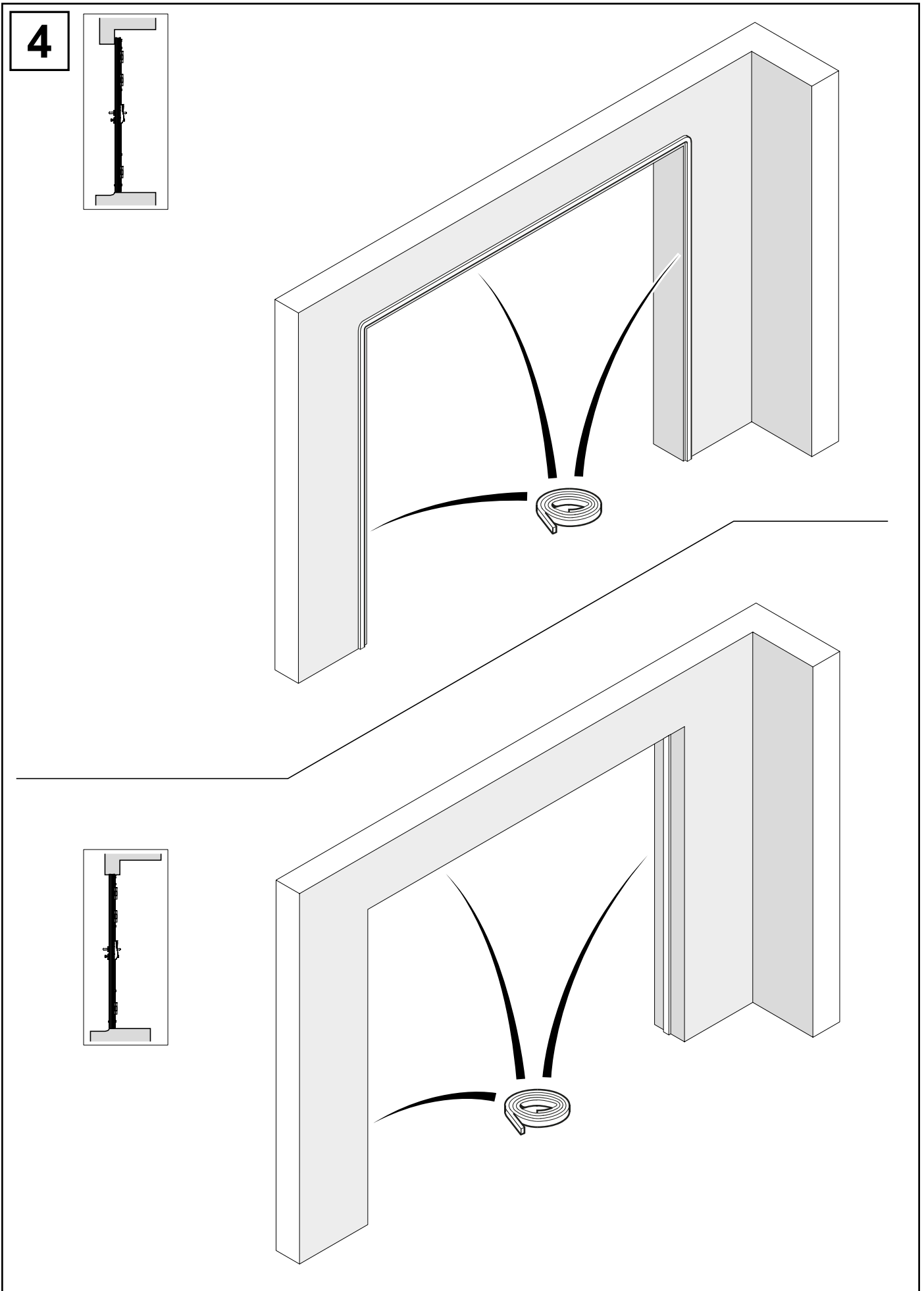


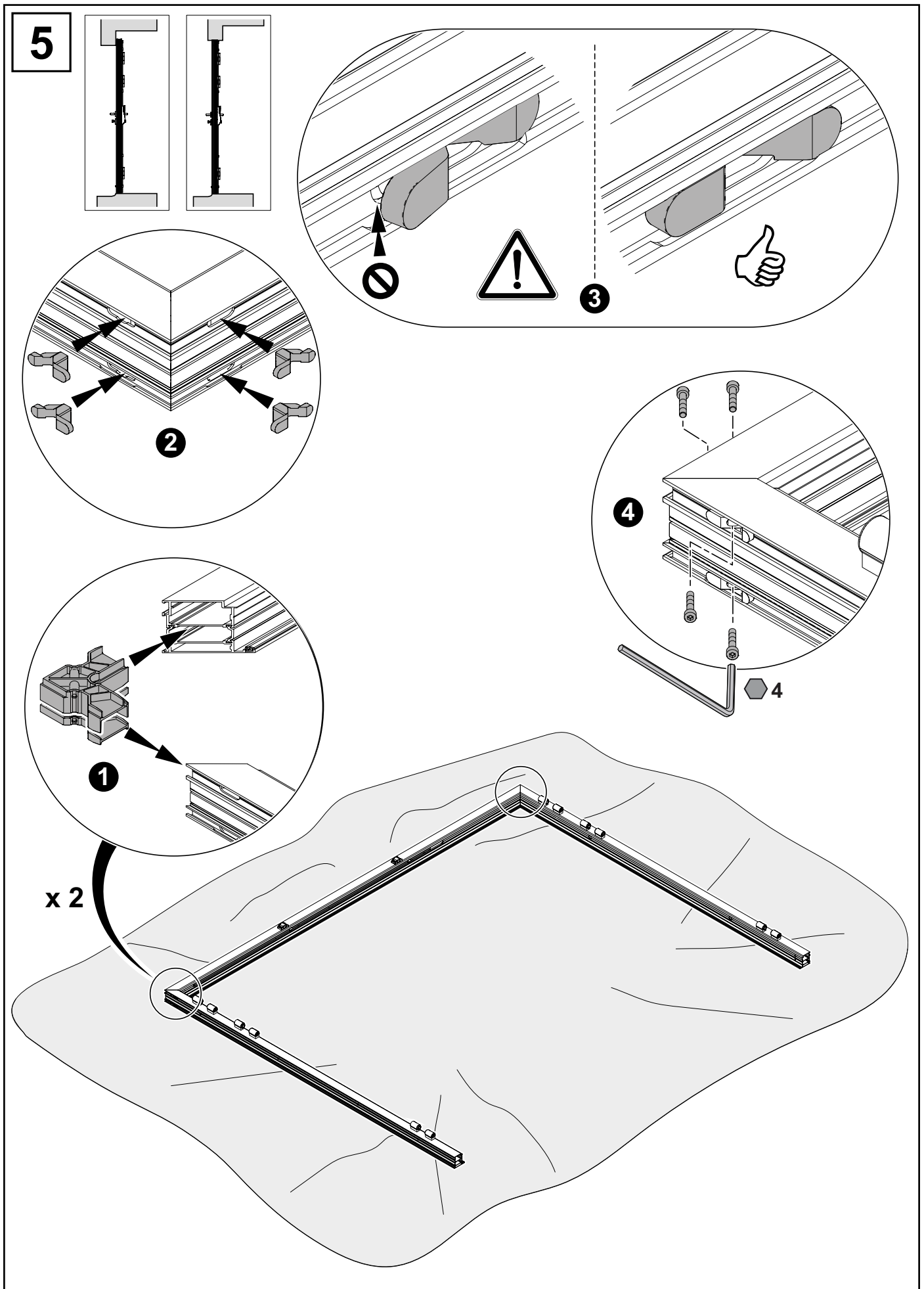


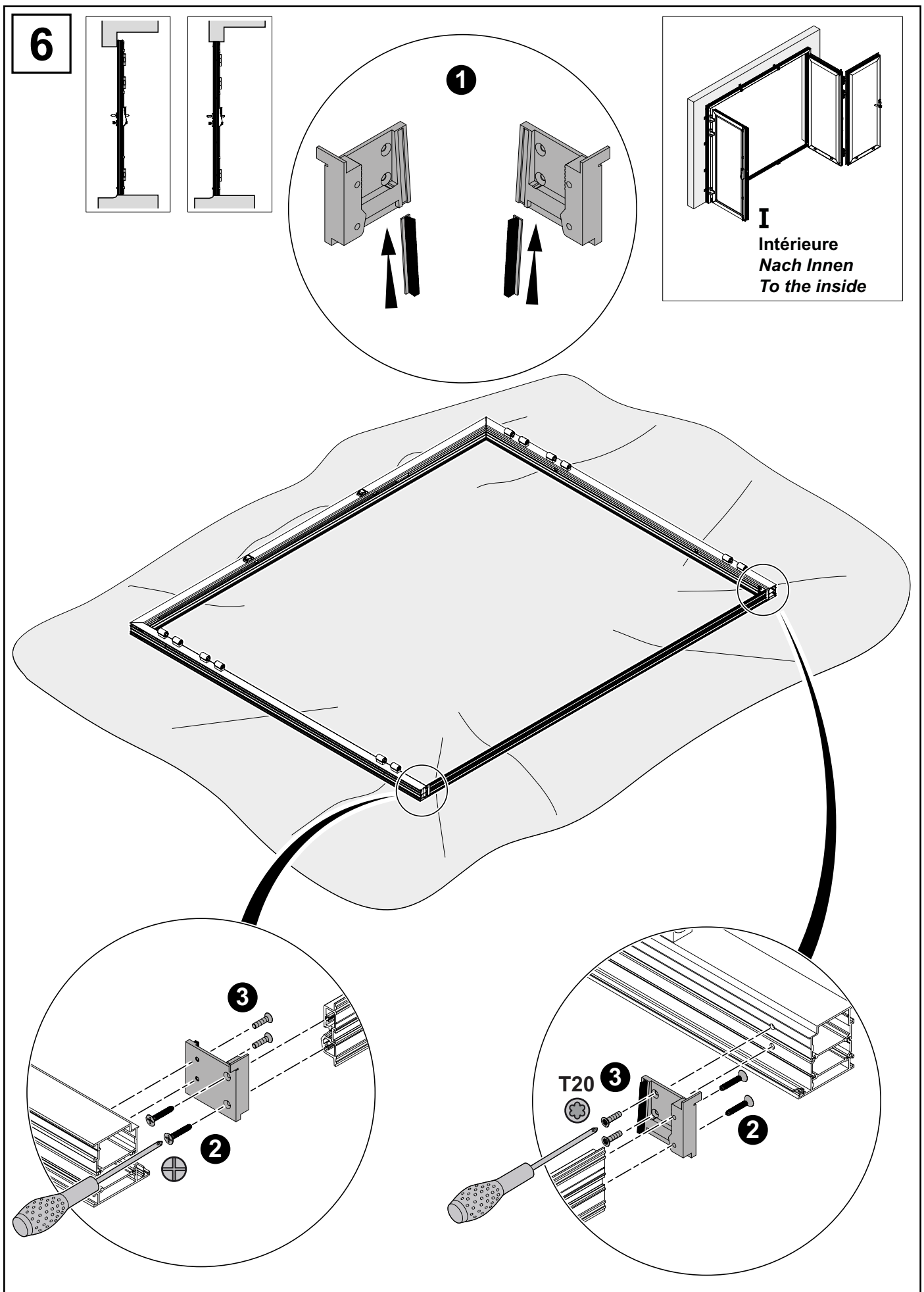
Intérieure
Nach Innen
To the inside

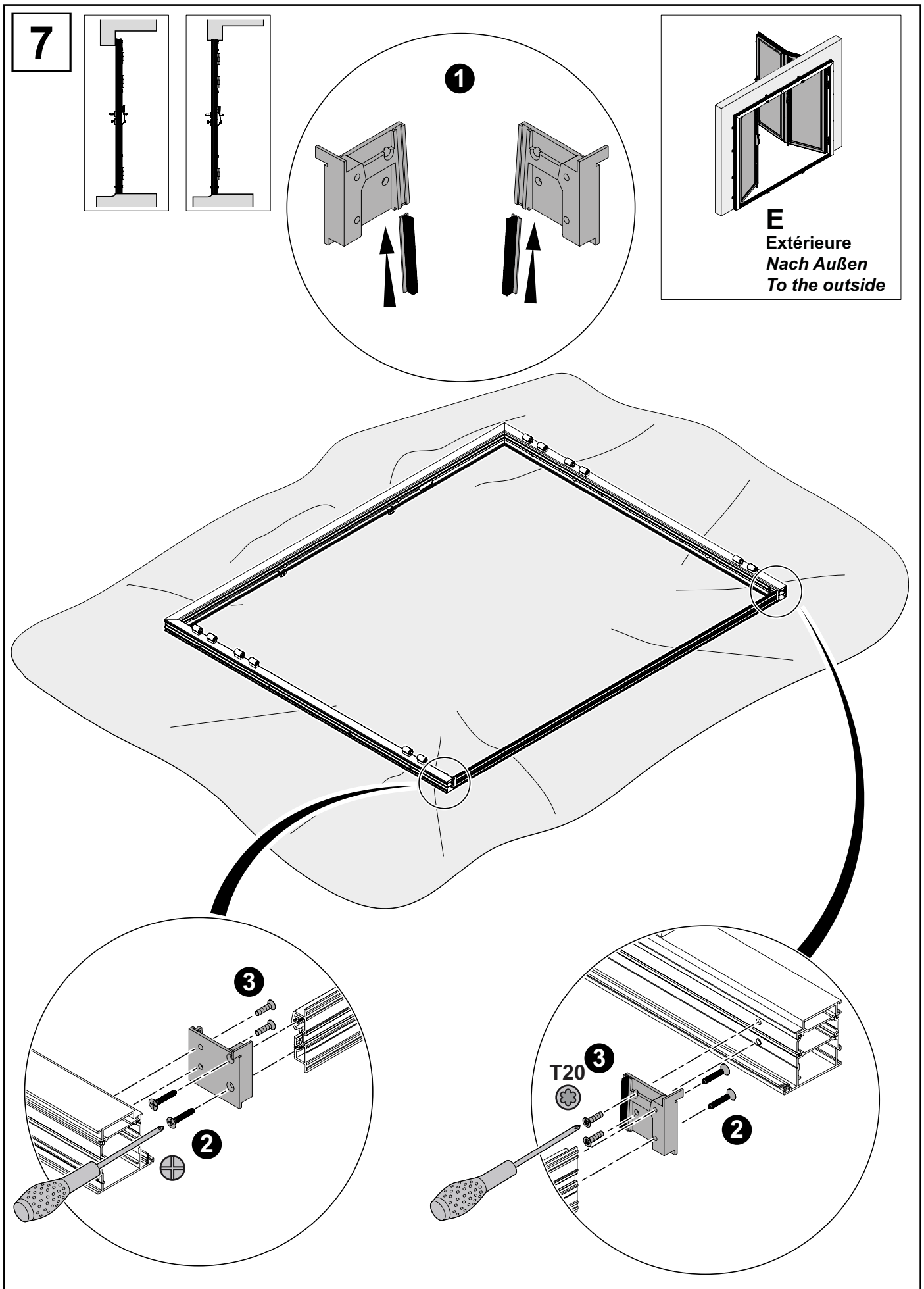
I



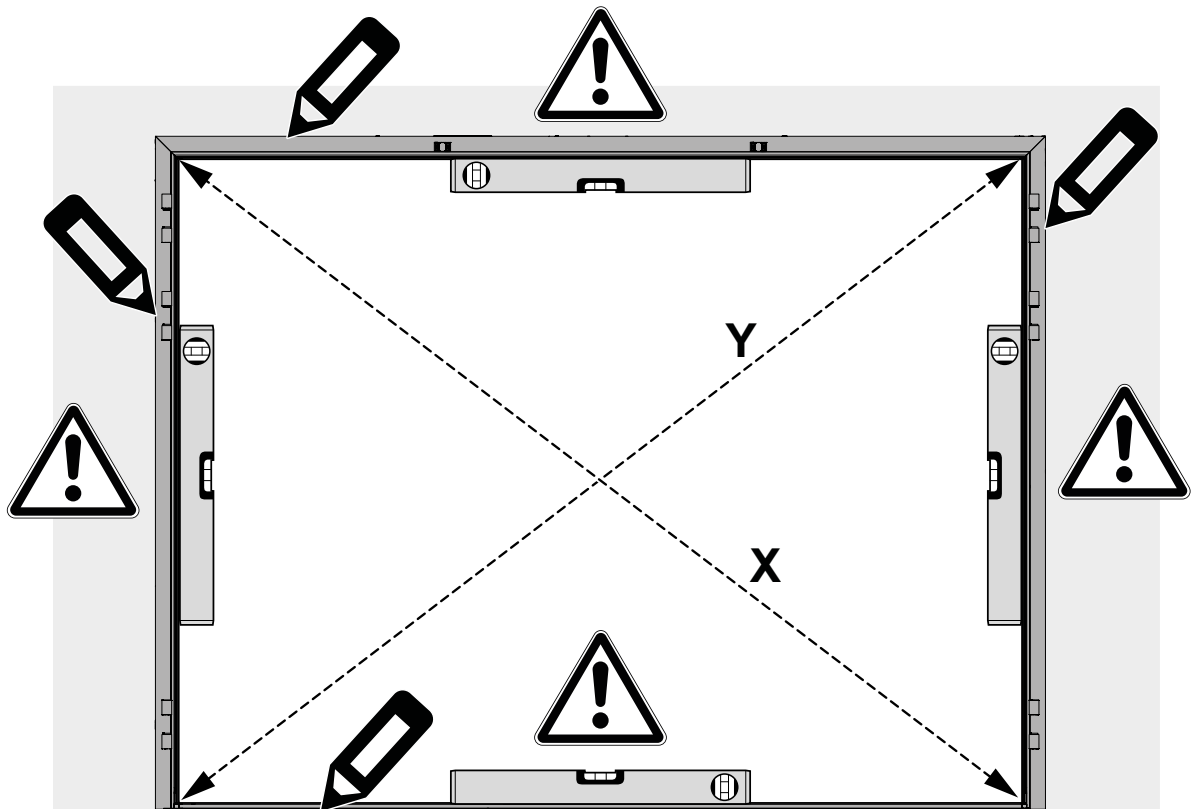
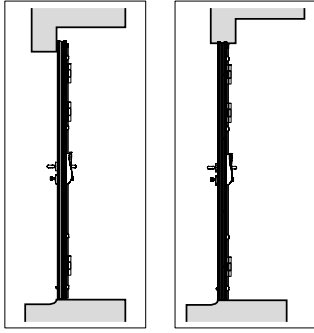




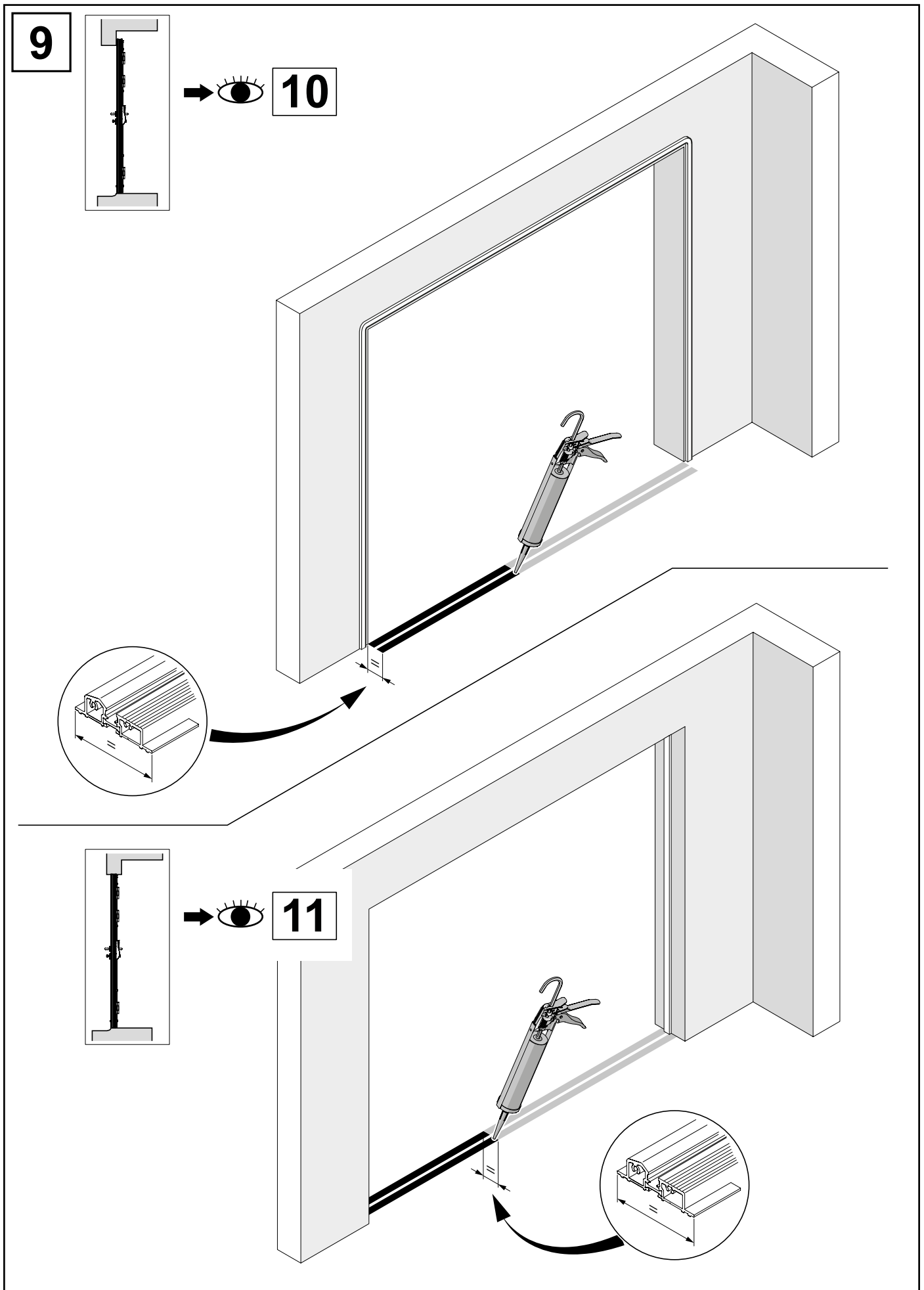


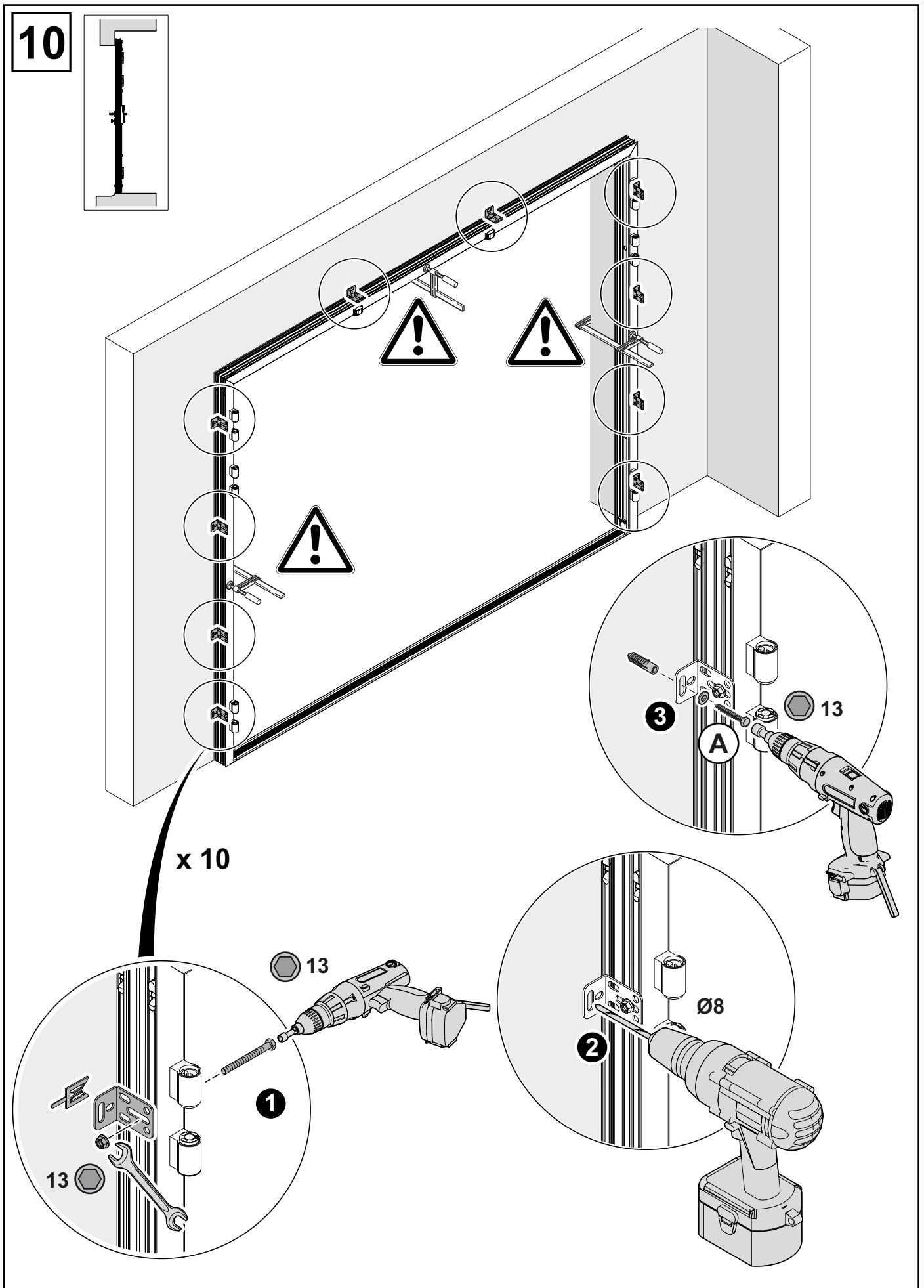


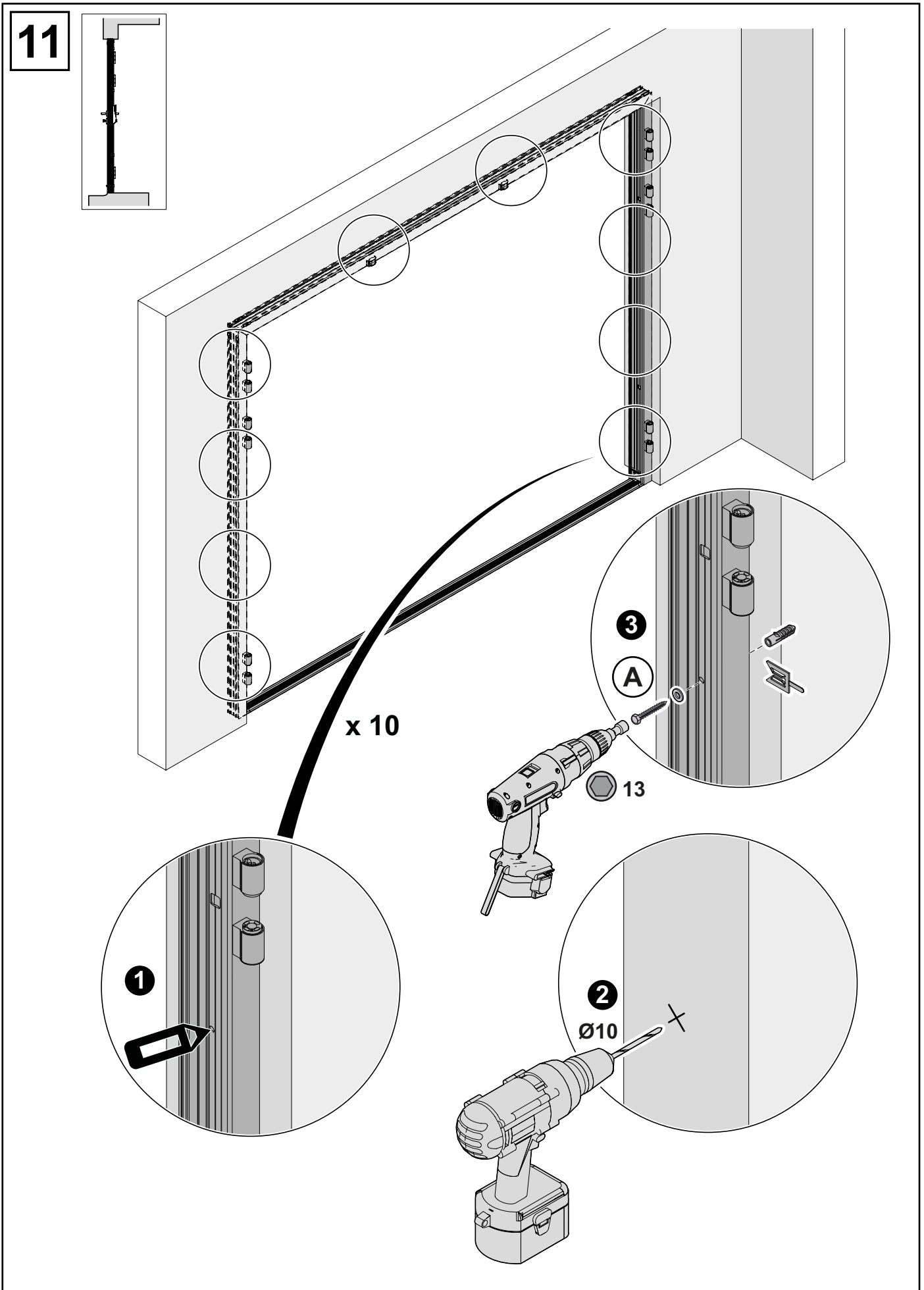
8



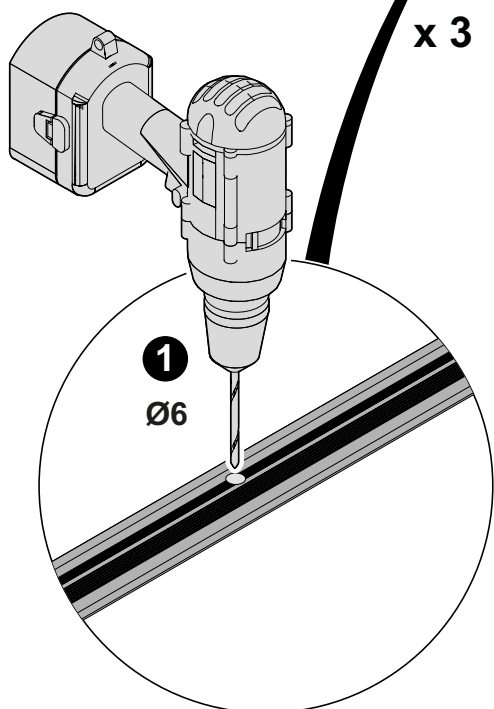
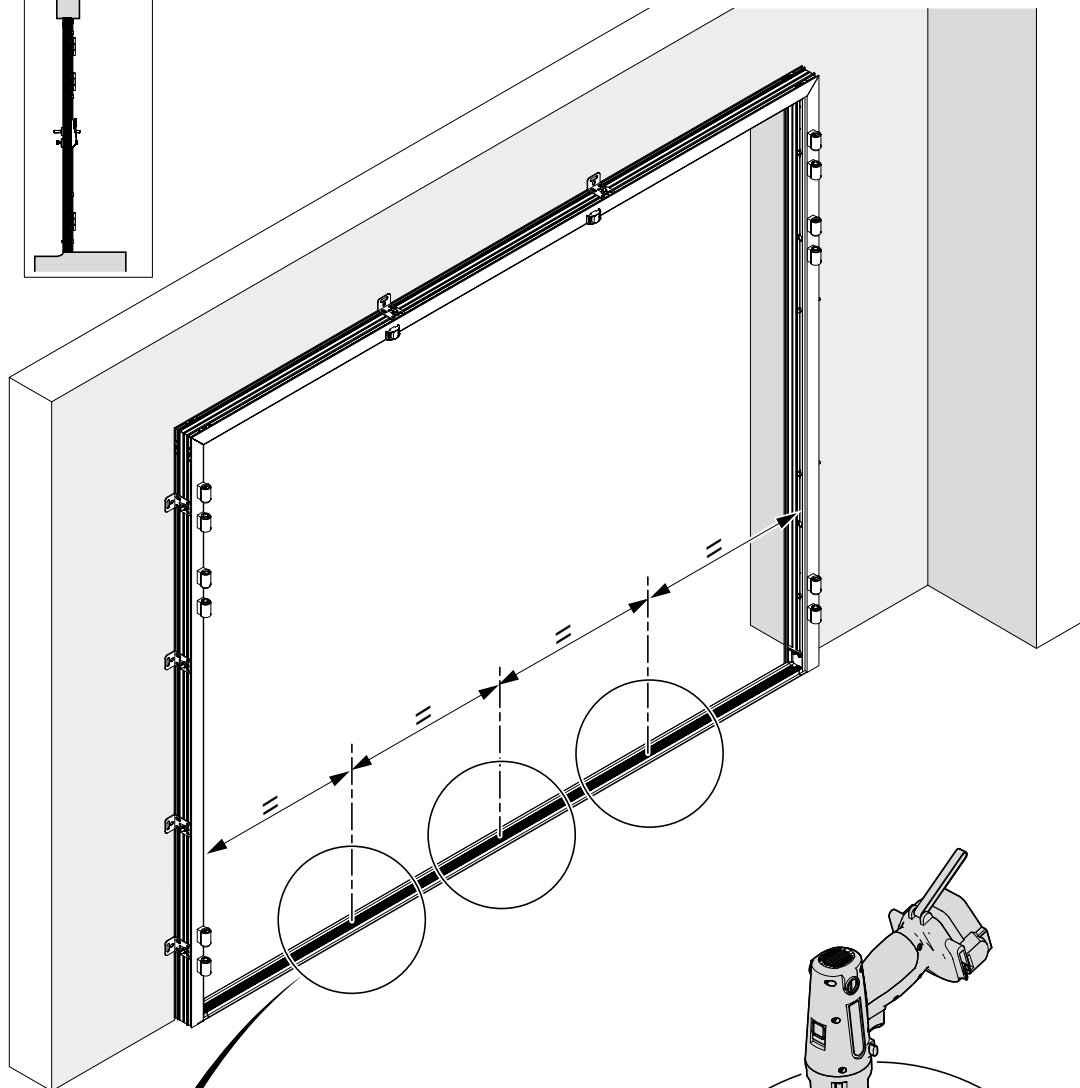
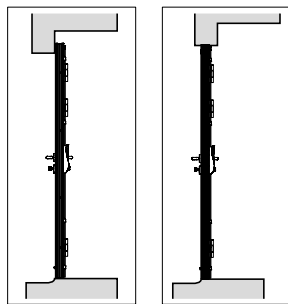
 $X=Y$



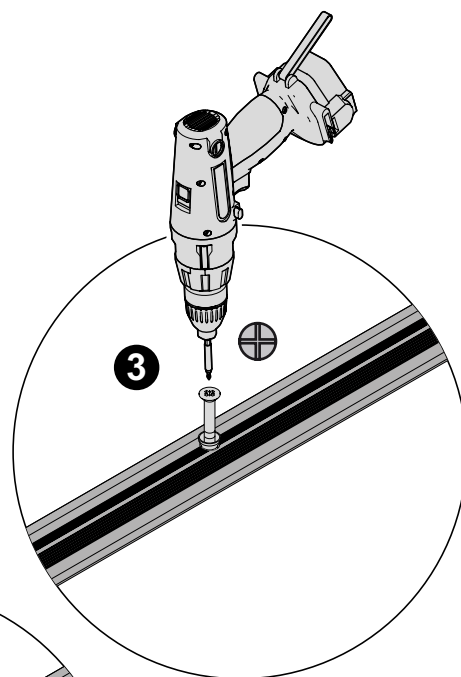
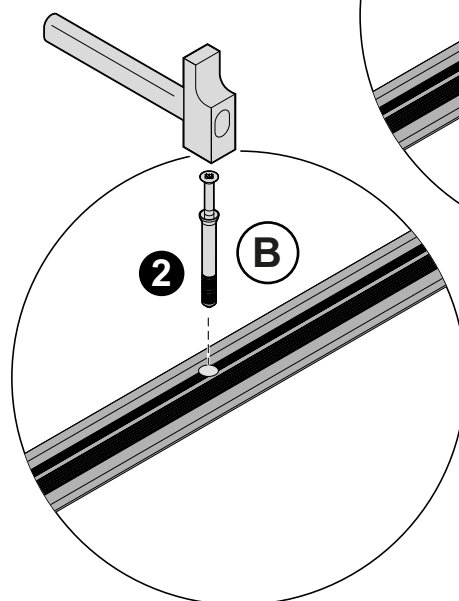


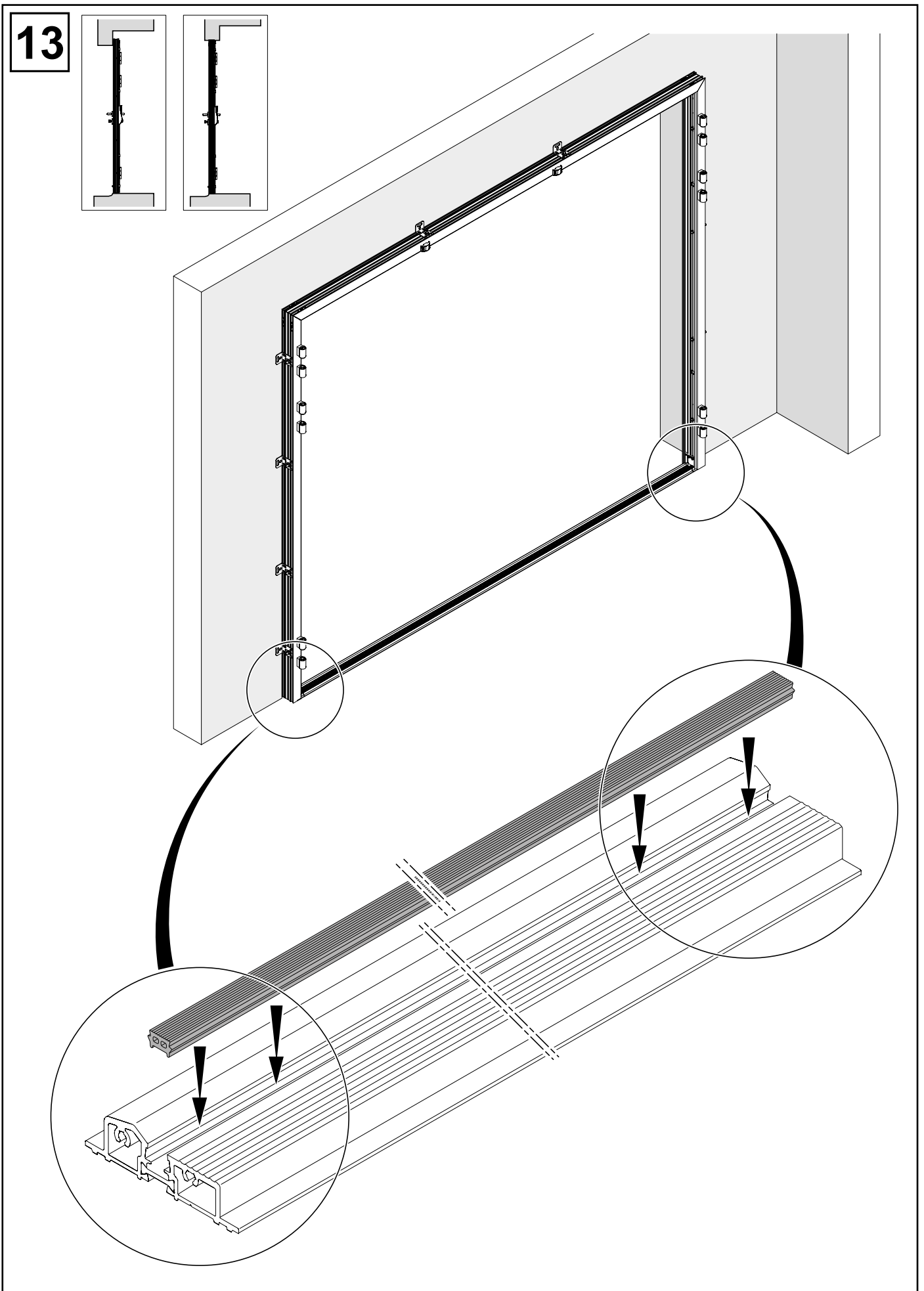


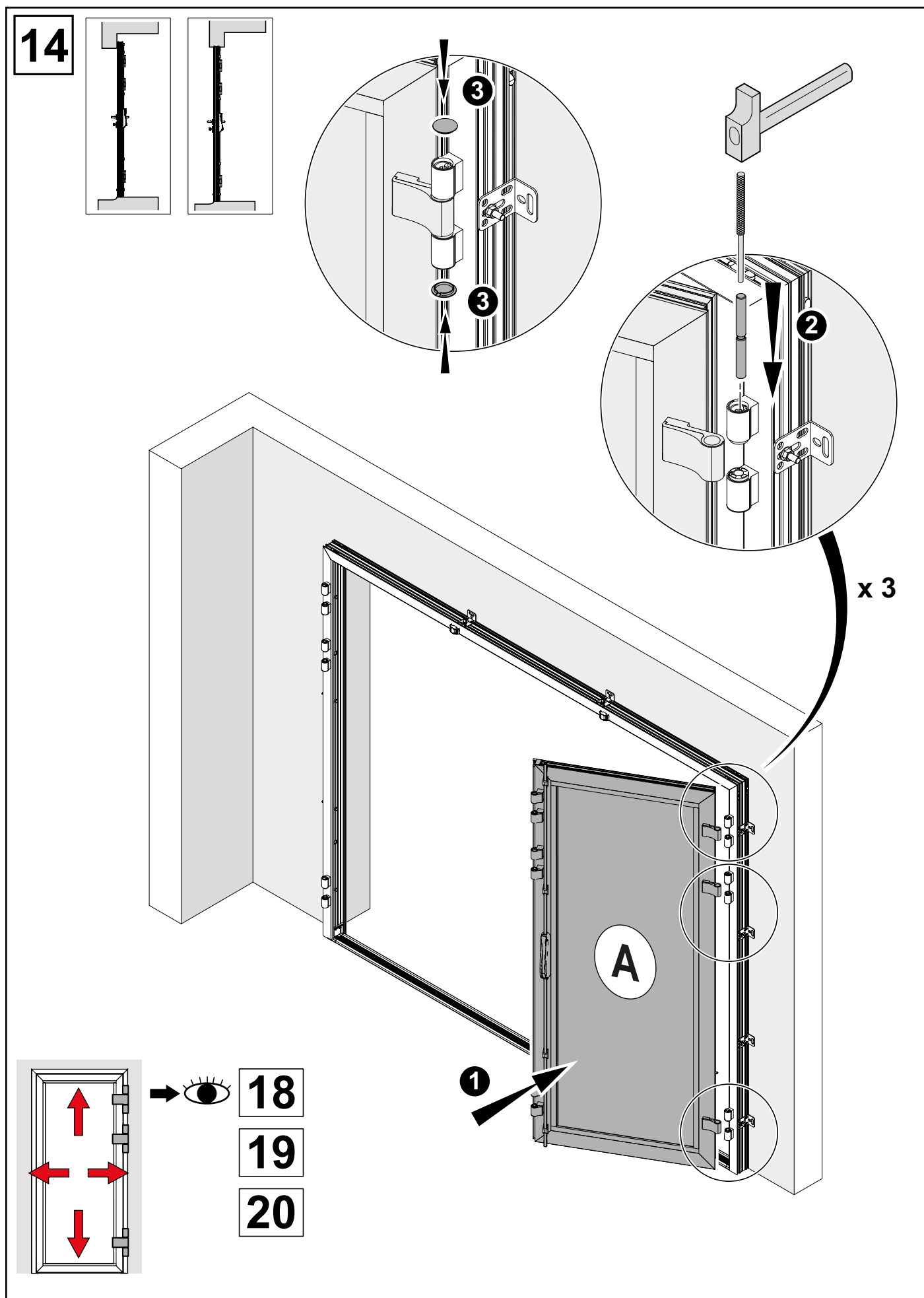
12

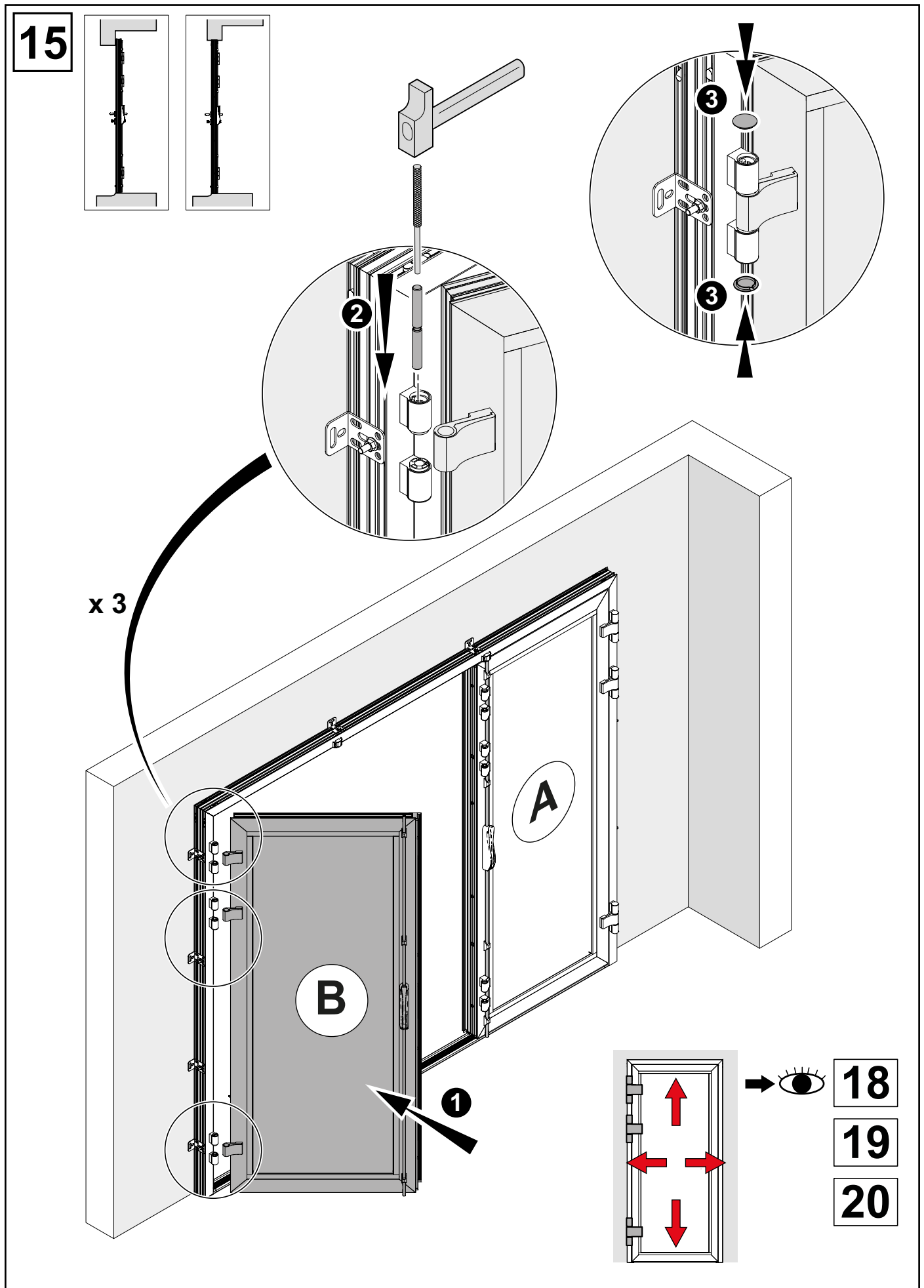


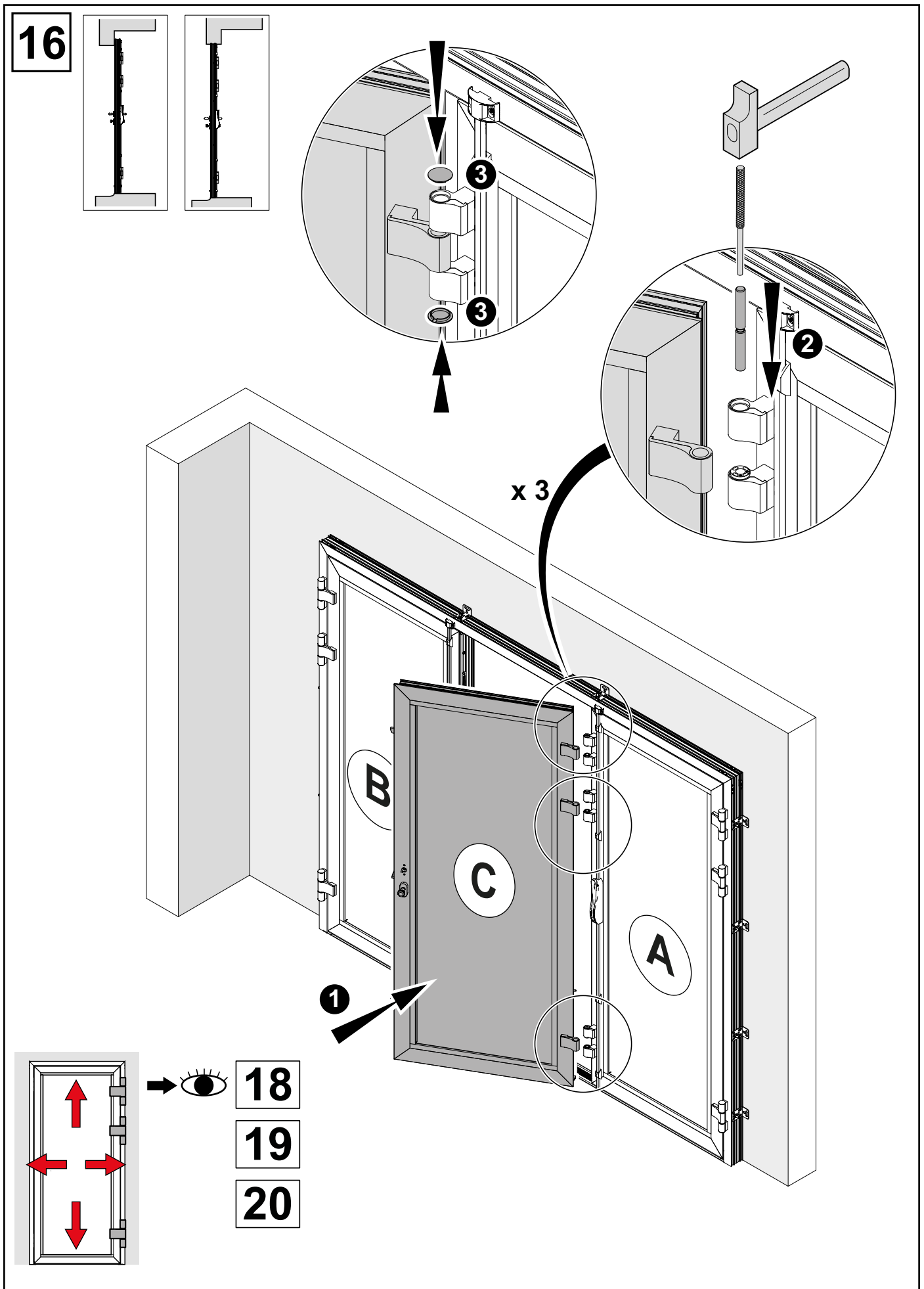
x 3

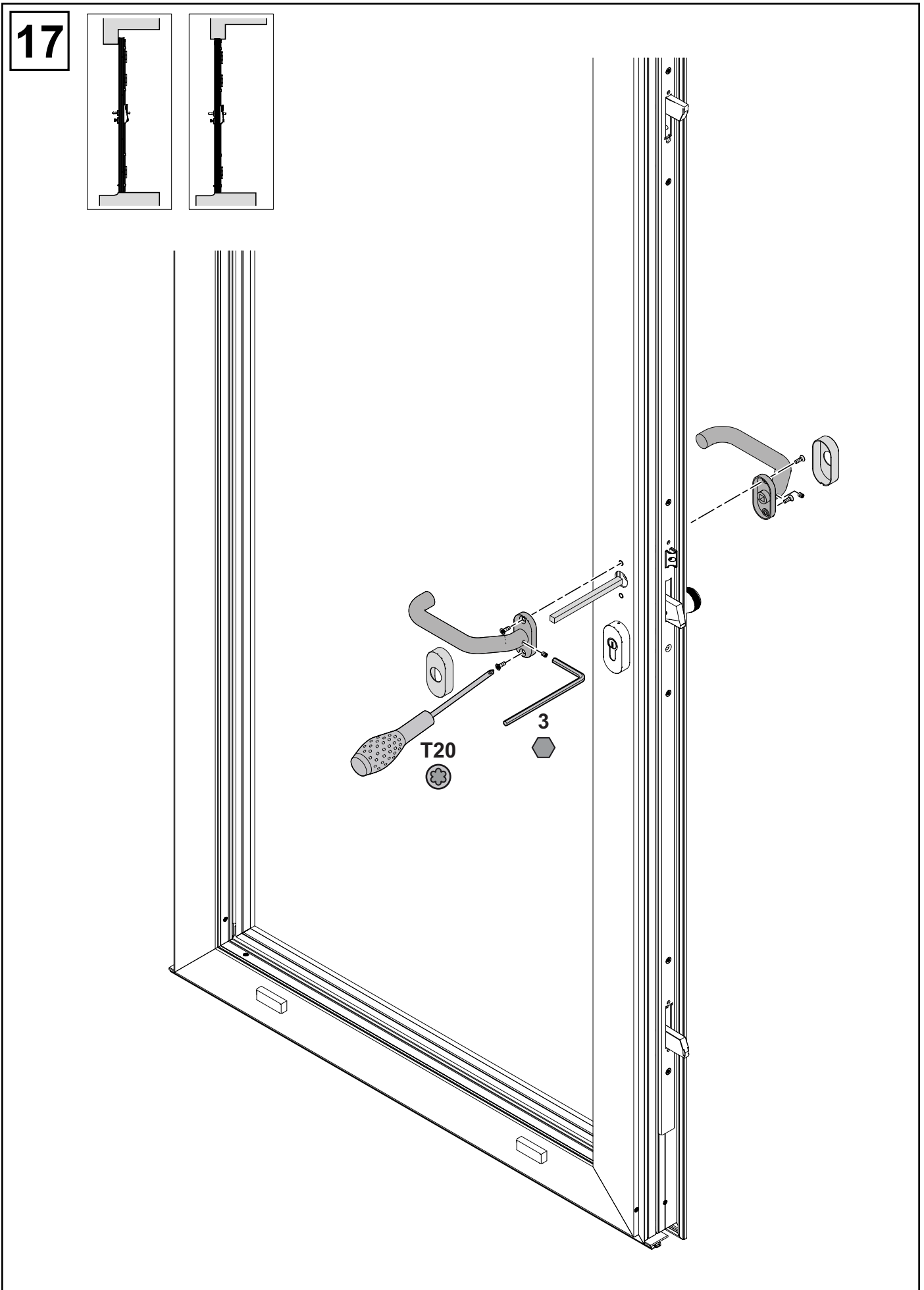


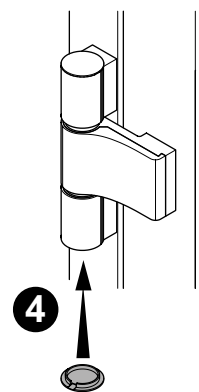
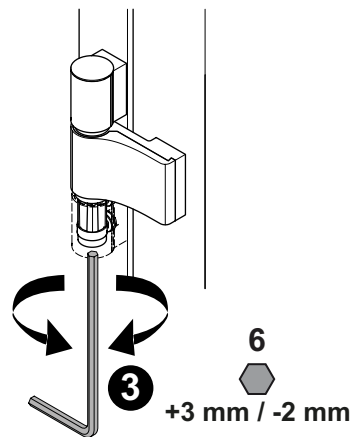
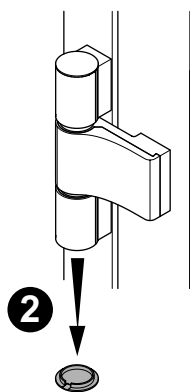
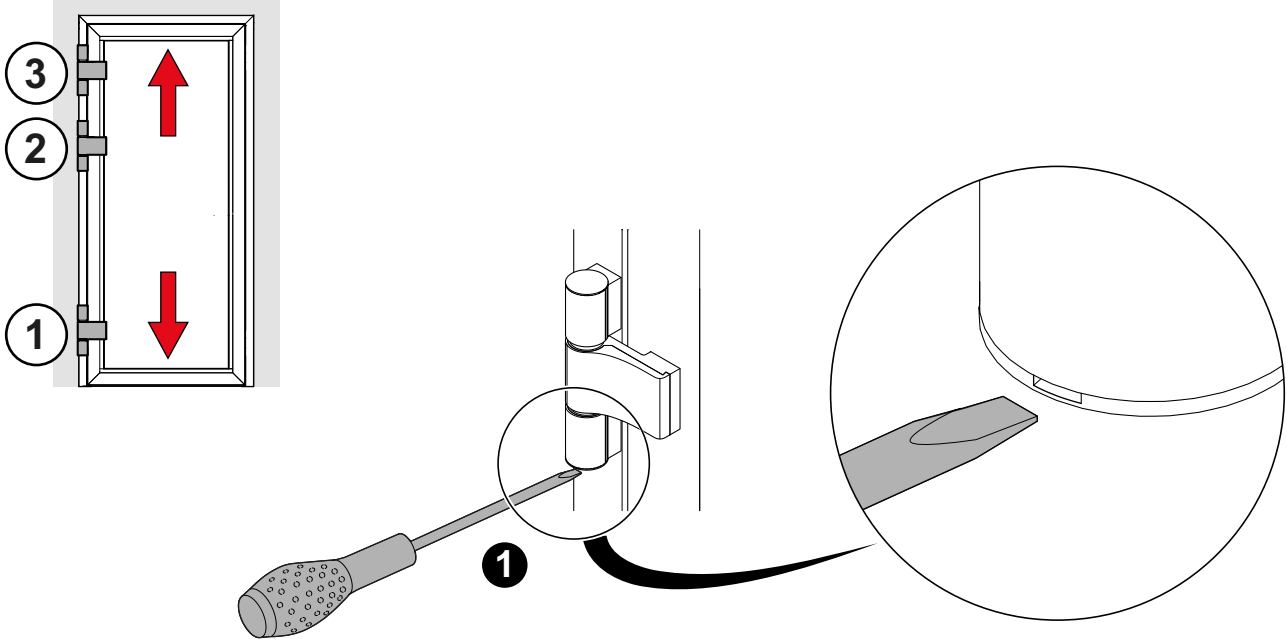




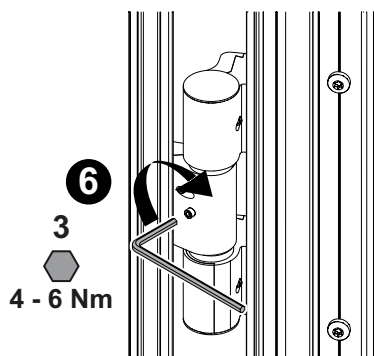
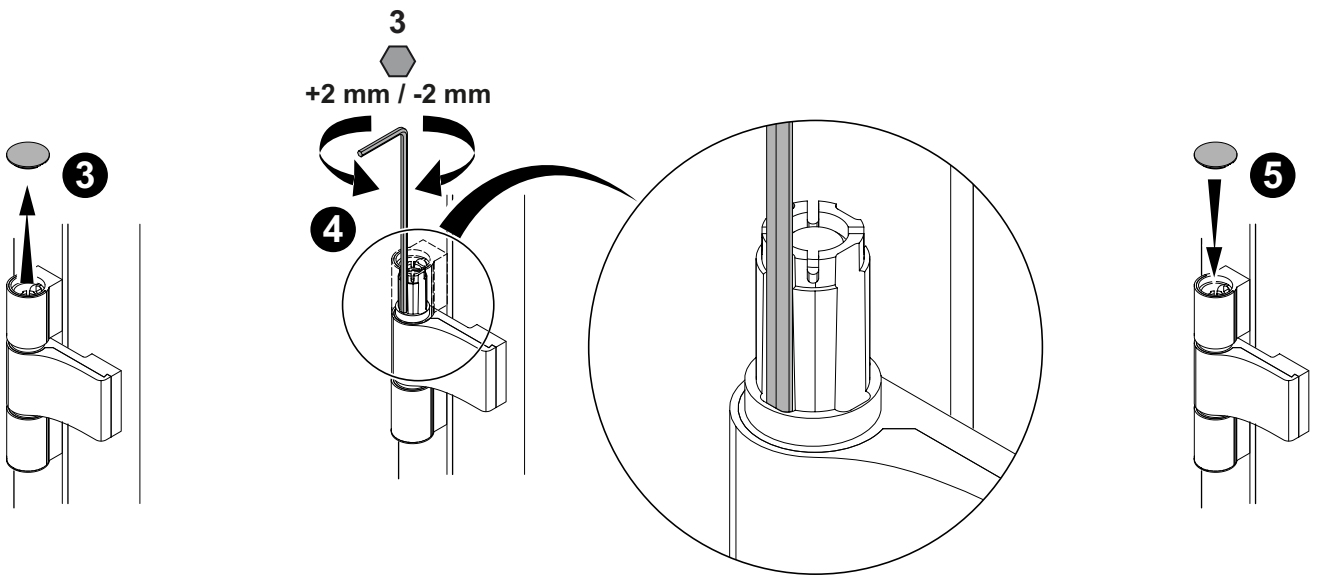
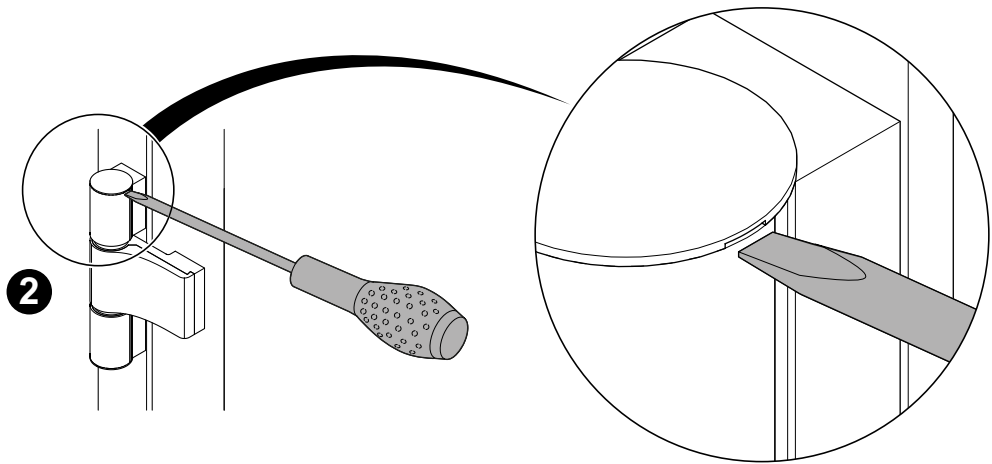
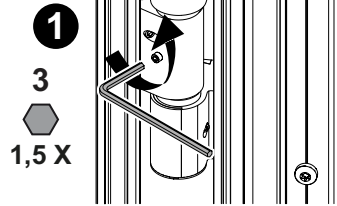
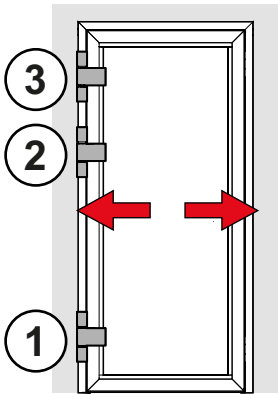




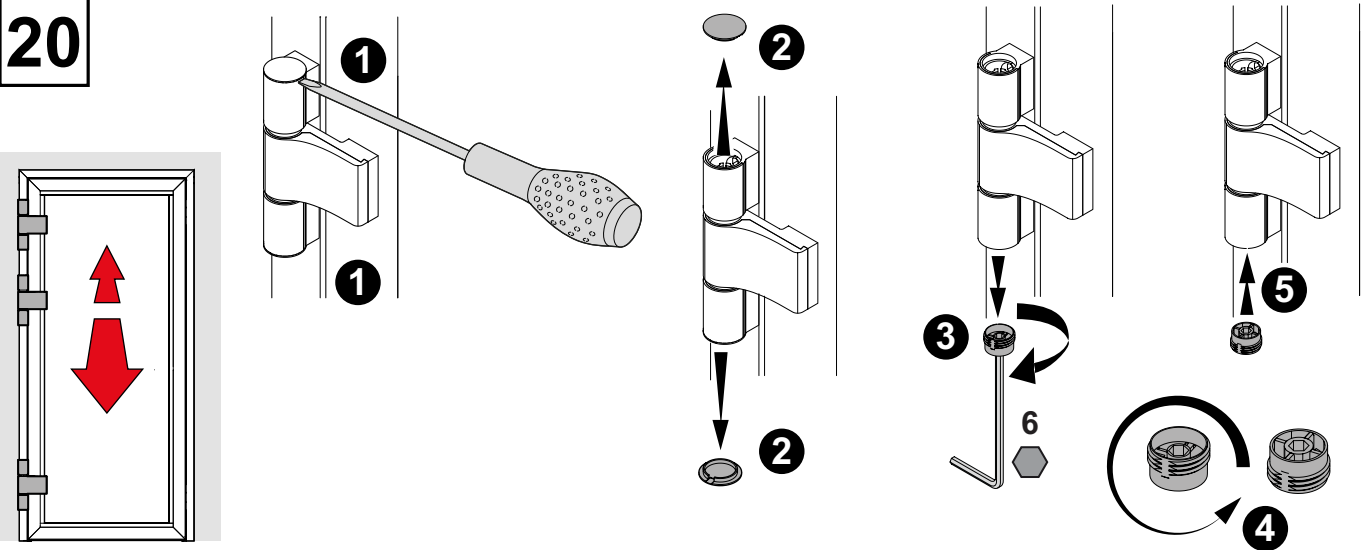


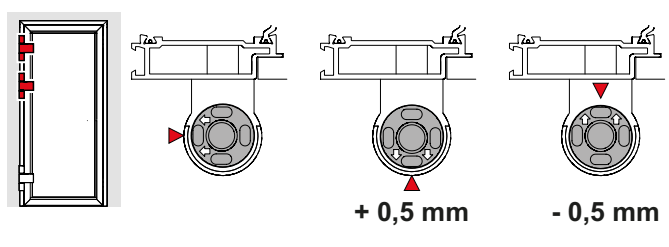
18


19

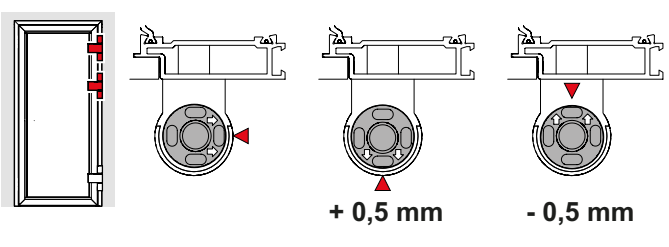


20

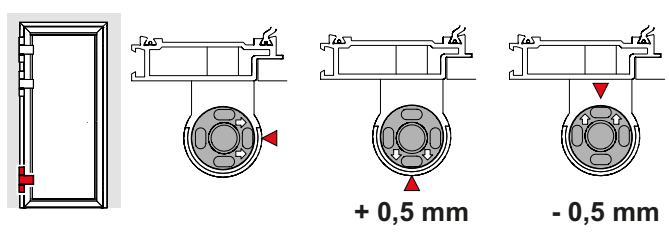




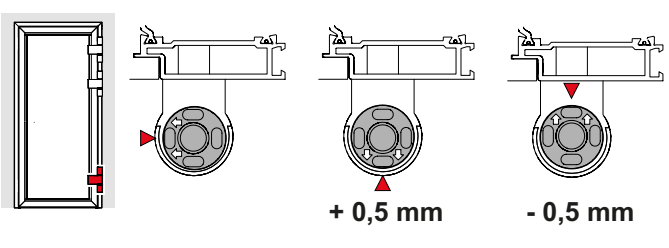
+ 0,5 mm - 0,5 mm



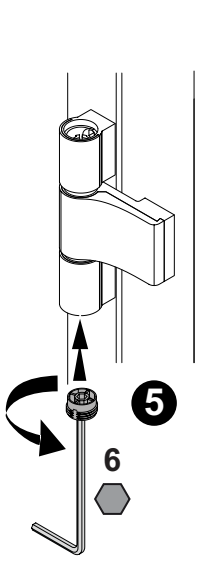
+ 0,5 mm - 0,5 mm

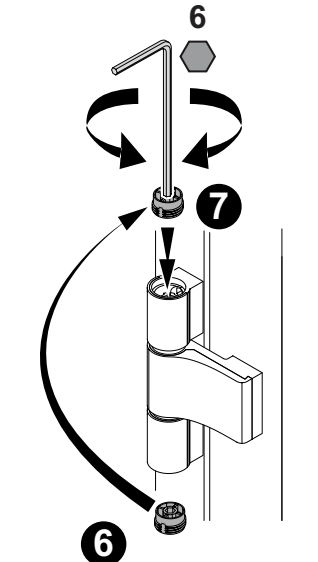


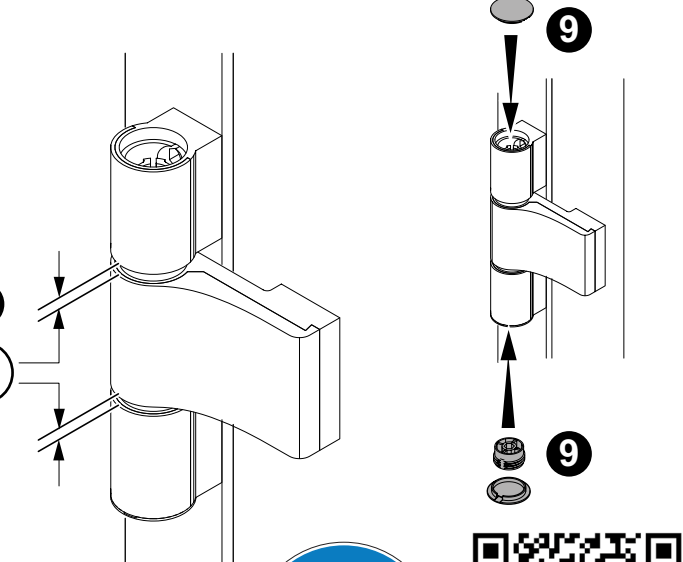
+ 0,5 mm - 0,5 mm





+ 0,5 mm - 0,5 mm

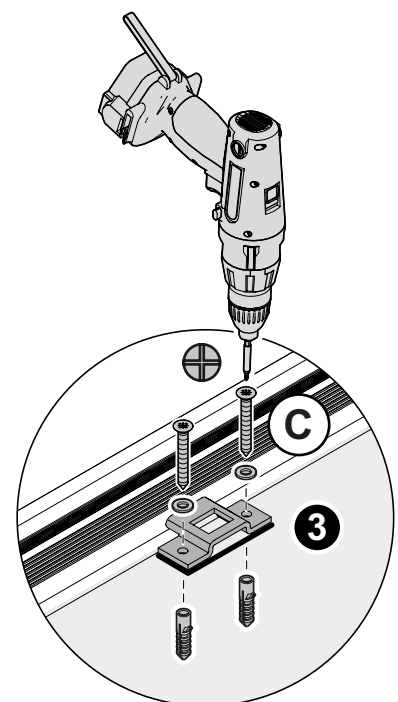
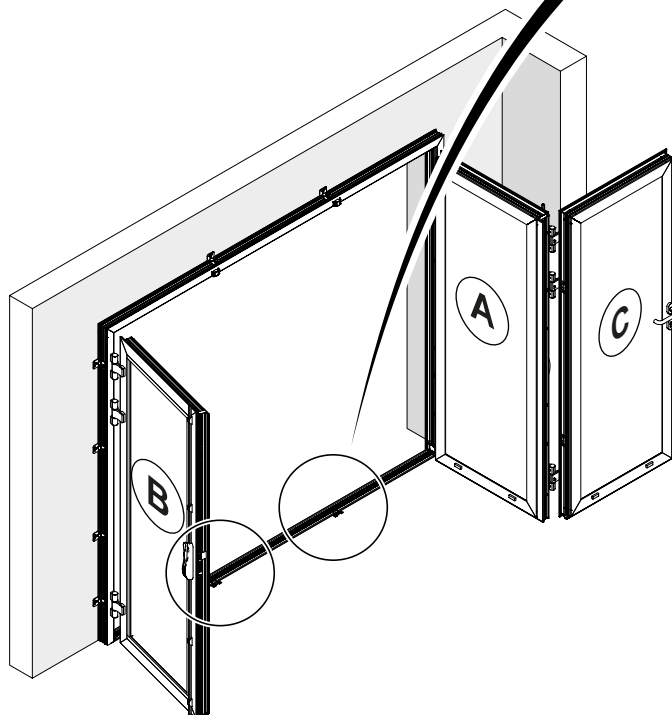
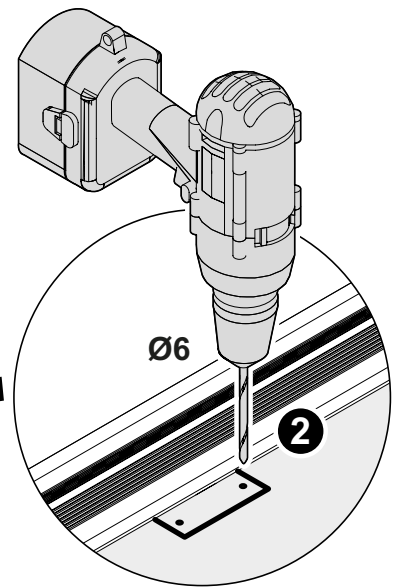
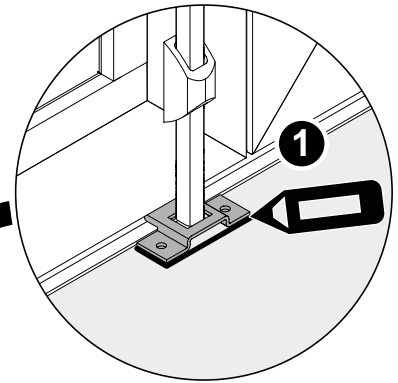
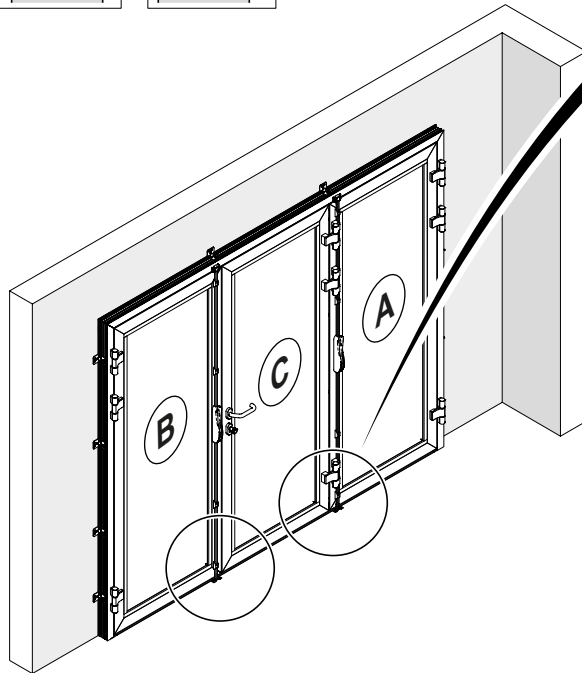
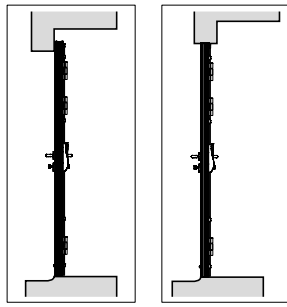






21





L'autre entrée principale